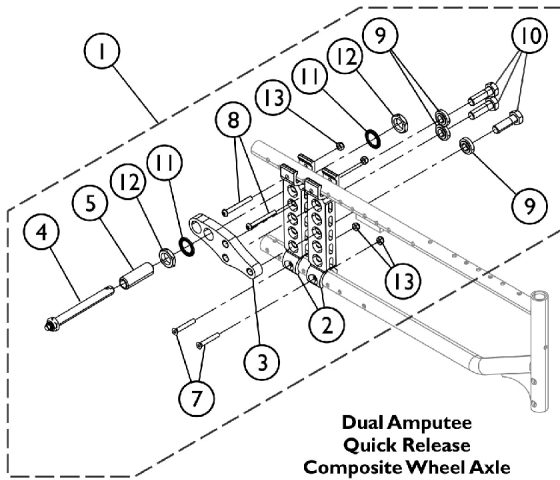
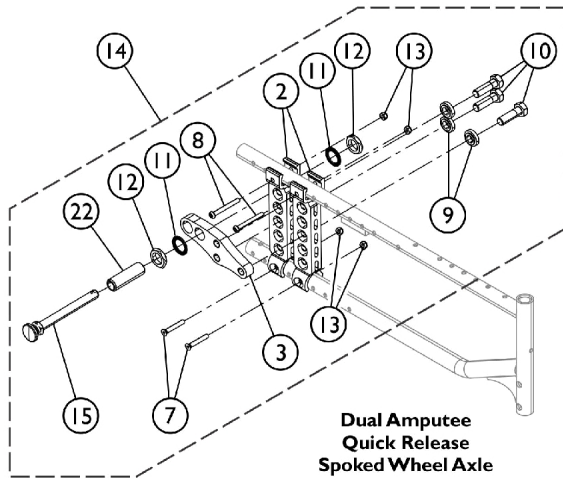


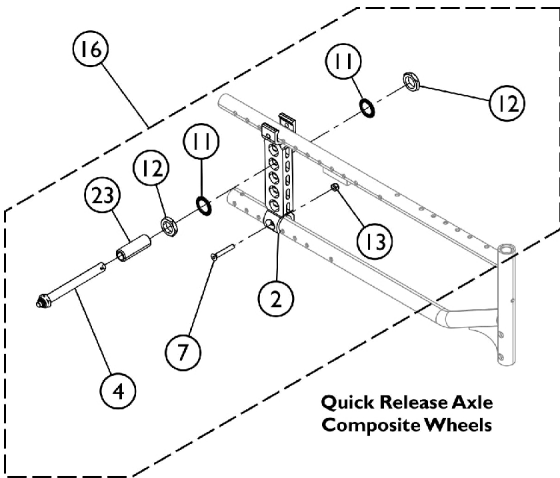
Axle Plates - 20 Inch Frame



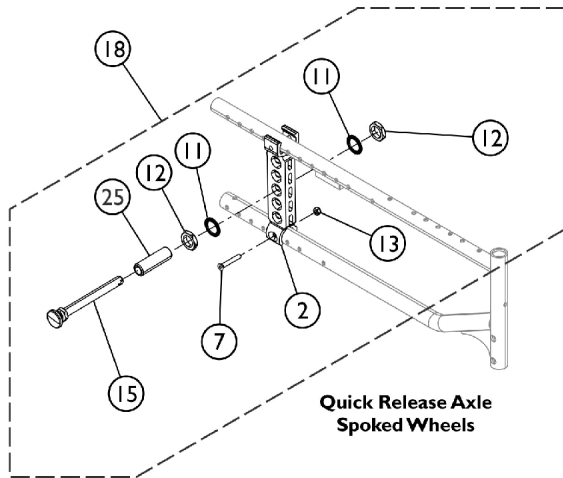
**Dual Amputee
Quick Release
Composite Wheel Axle**



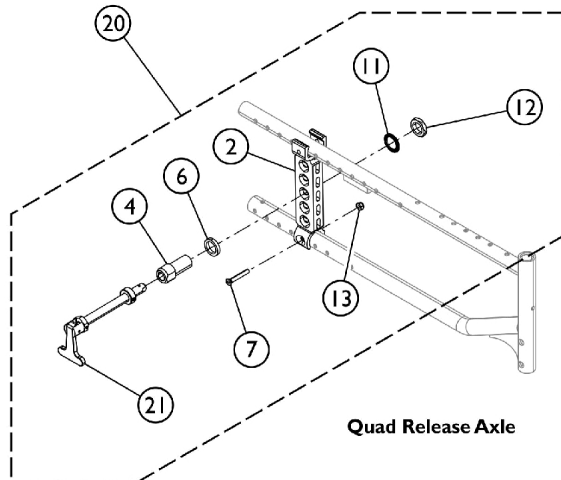
**Dual Amputee
Quick Release
Spoked Wheel Axle**



**Quick Release Axle
Composite Wheels**



**Quick Release Axle
Spoked Wheels**



Quad Release Axle

Axle Plates - 20 Inch Frame

Item Number	Note	Part Number	Description	Quantity Per	
				Package	Assembly
1	A	1188533	Kit, Axle Plate Assembly, Dual Amputee, Quick Release	1	1
2			Support, Rear Wheel	1	4
3			Plate, Support, Axle, Dual Amputee	1	2
4			Quick Release Suspension Axle	1	2
5			Bushing, Axle, Threaded	1	2
7			Screw, C-Sunk Head (M6 x 1 x 40mm)	1	4
8			Screw, Socket Button Head (M6 x 53mm)	1	4
9			Spacer (13 x 16 x 5)	1	6
10			Bolt, Hex Head Cap (M12 x 1.75 x 40mm)	1	6
11			Nut, Hex, Jam (3/4-16)	1	4
12			Washer, Serrated (M20.3 x 30mm x 1.5mm)	1	4
13			NLA - Locknut (M6 x 1)	1	8
14	B	1188534	Kit, Axle Plate Assembly, Dual Amputee, Quick Release, Spoked Wheel	1	1
2			Support, Rear Wheel	1	4
3			Plate, Support, Axle, Dual Amputee	1	2
7			Screw, C-Sunk Head (M6 x 1 x 40mm)	1	4
8			Screw, Socket Button Head (M6 x 53mm)	1	4
9			Spacer (13 x 16 x 5)	1	6
10			Bolt, Hex Head Cap (M12 x 1.75 x 40mm)	1	6
11			Washer, Serrated (M20.3 x 30mm x 1.5mm)	1	4
12			Nut, Hex, Jam (3/4-16)	1	4
13			NLA - Locknut (M6 x 1)	1	8
15			Axle, Quick Release Suspension	1	2
22			Bushing, Axle Thread	1	2
16	C	1188535	Kit, Axle Plate Assembly, Quick Release	1	1
2			Support, Rear Wheel	1	2
4			Quick Release Suspension Axle	1	2
7			Screw, C-Sunk Head (M6 x 1 x 40mm)	1	2
11			Washer, Serrated (M20.3 x 30mm x 1.5mm)	1	4
12			Nut, Hex, Jam (3/4-16)	1	4
13			NLA - Locknut (M6 x 1)	1	2
23			Bushing, Axle, Threaded	1	2
18	D	1188536	Kit, Axle Plate Assembly, Quick Release, Spoked Wheels	1	1
2			Support, Rear Wheel	1	2
7			Screw, C-Sunk Head (M6 x 1 x 40mm)	1	2
11			Washer, Serrated (M20.3 x 30mm x 1.5mm)	1	4
12			Nut, Hex, Jam (3/4-16)	1	4
13			NLA - Locknut (M6 x 1)	1	2
15			Axle, Quick Release Suspension	1	2
25			Bushing, Axle Thread	1	2
20	E	1188538	Kit, Axle Plate Assembly, Quad Release	1	1
2			Support, Rear Wheel	1	2
4			Bushing, Axle	1	2
6			Washer (20 x 27 x 5)	1	2
7			Screw, C-Sunk Head (M6 x 1 x 40mm)	1	2

Axle Plates - 20 Inch Frame

Item Number	Note	Part Number	Description	Quantity Per	
				Package	Assembly
11			Nut, Hex, Jam (3/4-16)	1	2
12			Washer, Serrated (M20.3 x 30mm x 1.5mm)	1	2
14			NLA - Locknut (M6 x 1)	1	2
21			Axle, Quad Release	1	2
NOTE: A - Kit includes items 2 - 5, and 7 - 13. B - Kit includes items 2, 3, and items 7 - 13, 15, and item 22. C - Kit includes items 2, 4, 7, 11 - 13, and item 24. D - Kit includes items 2, 7, items 11 - 13, item 15, and item 25. E - Kit includes items 2, 4, 6, 7, 11, 12, 14, and item 21.					