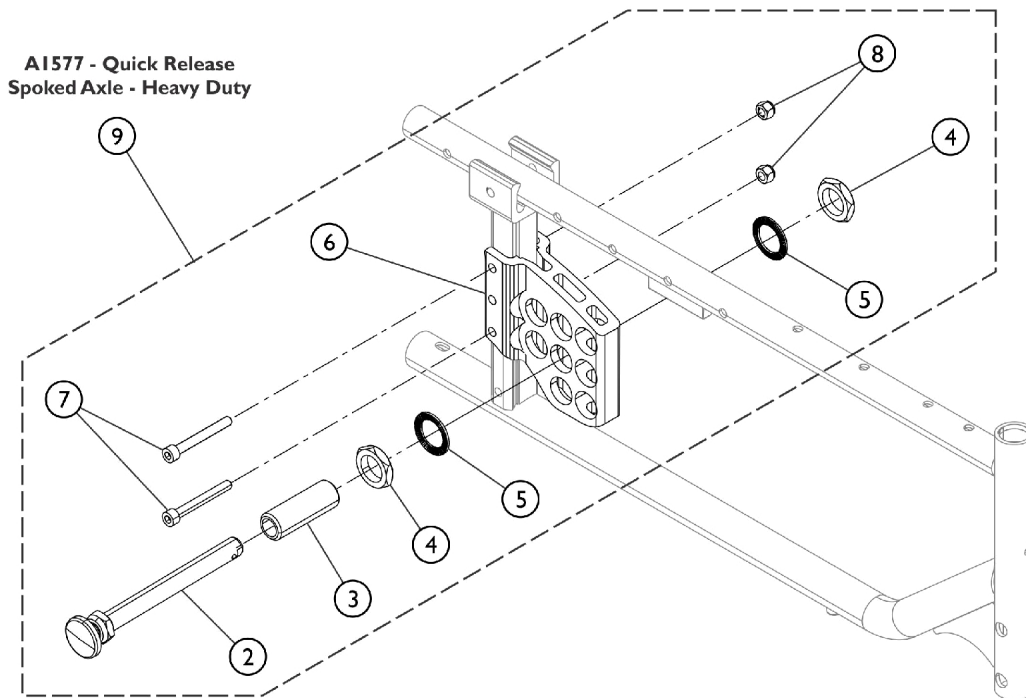
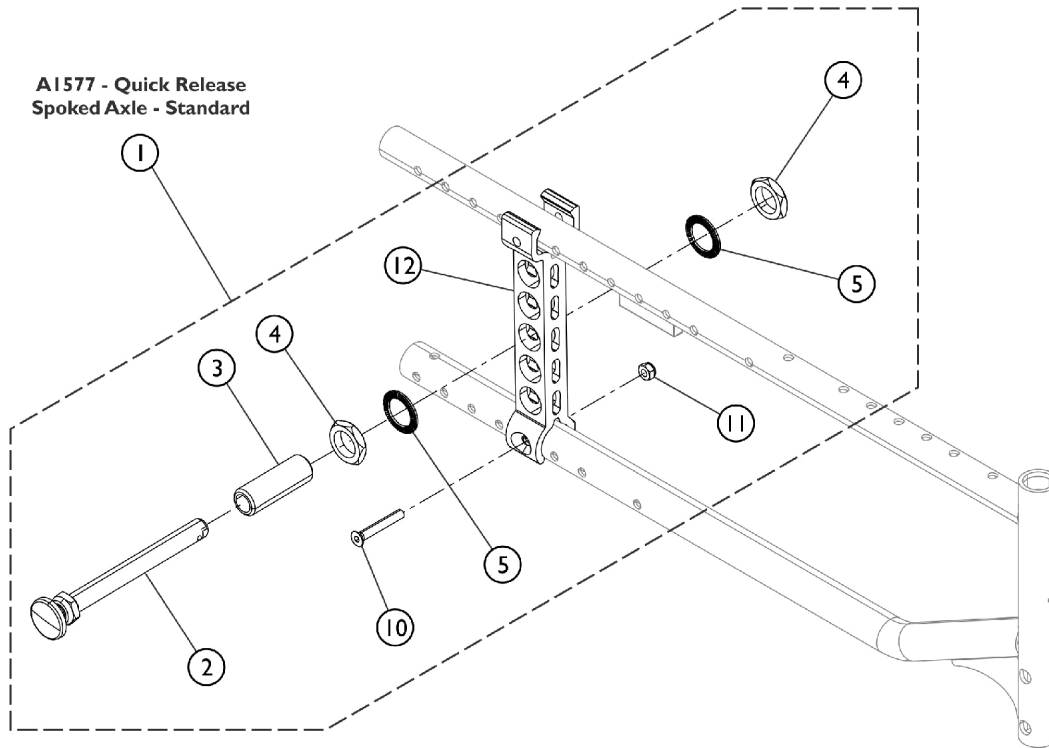


# Axle Plates w/ Hardware (A1577 - Spoked Wheels) Standard and Heavy Duty

The camber is built into the axle plate. If the flat side is out it is 3 degree.  
If the round surface is outside it is 0 degree.



# Axle Plates w/ Hardware (A1577 - Spoked Wheels)

## Standard and Heavy Duty

The camber is built into the axle plate. If the flat side is out it is 3 degree.  
If the round surface is outside it is 0 degree.

Item Number	Note	Part Number	Description	Quantity Per	
				Package	Assembly
1	A	1173080	Kit, Axle Plate, Quick Release Hardware, Standard - Spoked Wheels (Pair)	1	1
2			Axle, Quick Release Suspension	1	2
3			Bushing, Axle Thread	1	2
4			Nut, Hex, Jam (3/4-16)	1	4
5			Washer, Serrated (M20.3 x 30mm x 1.5mm)	1	4
10			Screw, C-Sunk Head (M6 x 1 x 40mm)	1	2
11			NLA - Locknut (M6 x 1)	1	2
12			Plate, Quick Release Axle	1	2
9	B	1173079	Kit, Axle Plate, Quick Release Hardware - Heavy Duty - Spoked Wheels (Pair)	1	1
2			Axle, Quick Release Suspension	1	2
3			Bushing, Axle Thread	1	2
4			Nut, Hex, Jam (3/4-16)	1	4
5			Washer, Serrated (M20.3 x 30mm x 1.5mm)	1	4
6			Bracket, Axle, Quick Release - Left	1	1
6			Bracket, Axle, Quick Release - Right	1	1
7			Screw, Scket Head Cap (M6 x 50)	1	4
8			Nut, w/ Insert, HFR (M6)	1	4

NOTE: A - Kit includes items 2 - 5, and items 10, 11, and 12.  
B - Kit includes items 2 - 8.