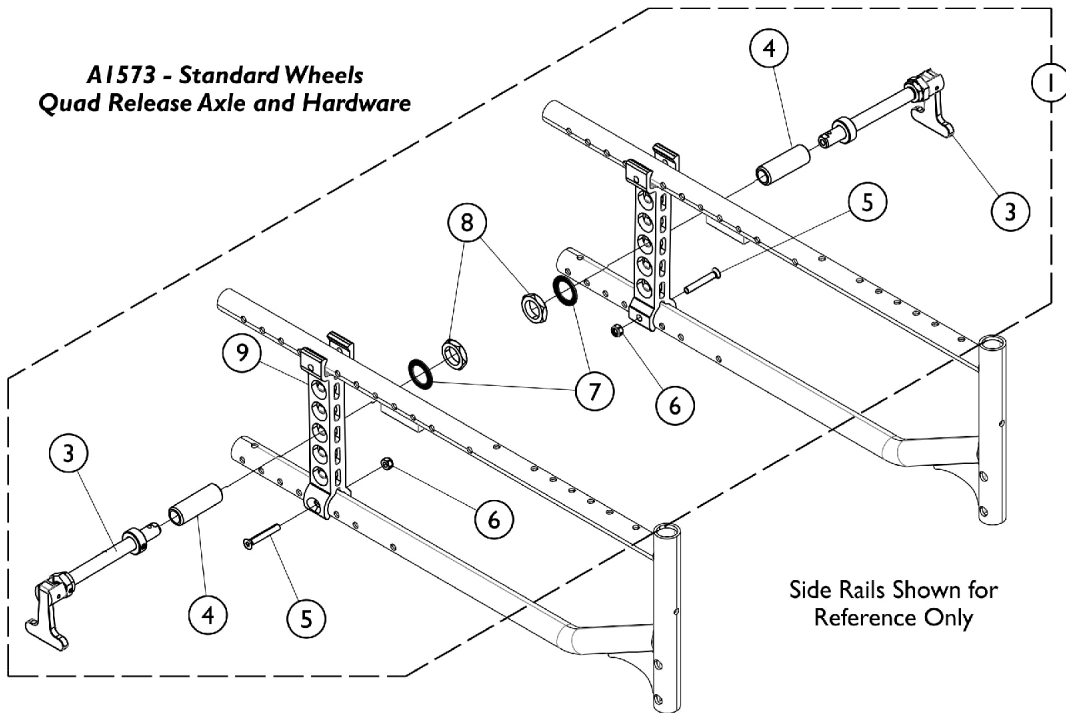


Axle Plates w/ Hardware (A1573 - All Wheels)

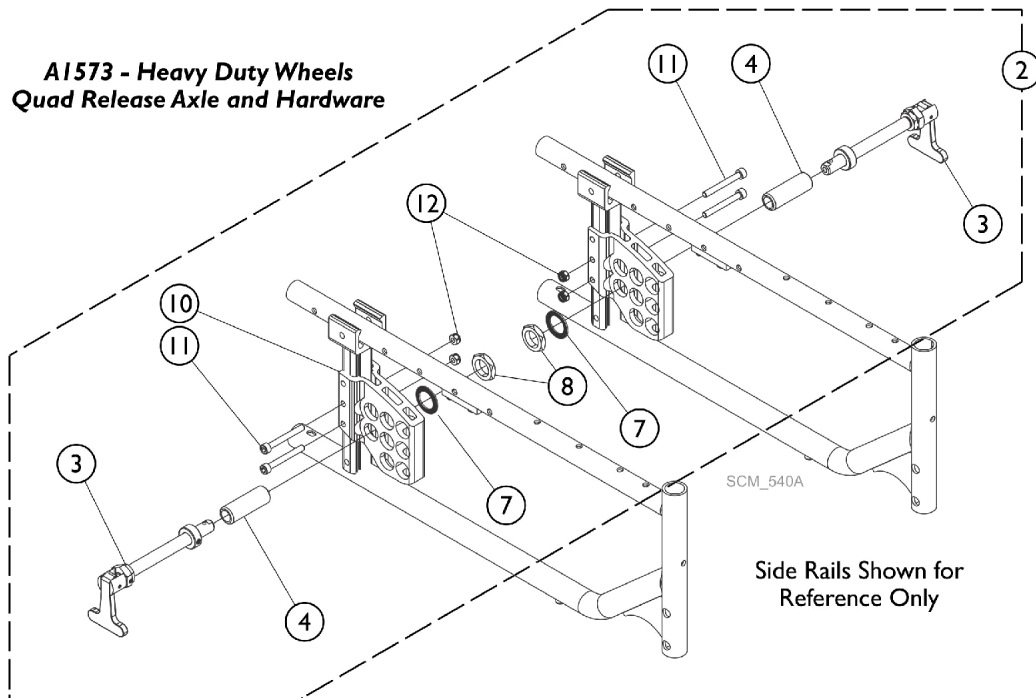
Standard and Heavy Duty

The camber is built into the axle plate. If the flat side is out it is 3 degree.
 If the round surface is outside it is 0 degree.

**A1573 - Standard Wheels
 Quad Release Axle and Hardware**



**A1573 - Heavy Duty Wheels
 Quad Release Axle and Hardware**



Axle Plates w/ Hardware (A1573 - All Wheels)

Standard and Heavy Duty

The camber is built into the axle plate. If the flat side is out it is 3 degree.
If the round surface is outside it is 0 degree.

Item Number	Note	Part Number	Description	Quantity Per	
				Package	Assembly
1	A	1173024	Kit, Axle Plate, Quad Release Hardware (Pair)	1	1
3			Axle, Quad Release	1	2
4			Bushing, Axle, Threaded	1	2
5			Screw, C-Sunk Head (M6 x 1 x 40mm)	1	2
6			NLA - Locknut (M6 x 1)	1	2
7			Washer, Serrated (M20.3 x 30mm x 1.5mm)	1	2
8			Nut, Hex, Jam (3/4-16)	1	2
9			Plate, Quick Release Axle	1	2
2			B	1173026	Kit, Axle Plate, Quad Release Hardware, Heavy Duty (Pair)
3	Axle, Quad Release	1			2
4	Bushing, Axle, Threaded	1			2
7	Washer, Serrated (M20.3 x 30mm x 1.5mm)	1			2
8	Nut, Hex, Jam (3/4-16)	1			2
10	Bracket, Axle, Quick Release - Right	1			1
10	Bracket, Axle, Quick Release - Left	1			1
11	Screw, Scket Head Cap (M6 x 50)	1			4
12	Nut, w/ Insert, HFR (M6)	1	4		

NOTE: A - Kit includes items 3 - 9.
B - Kit includes items 3, 4, 7, 8, 10, 11 and 12.