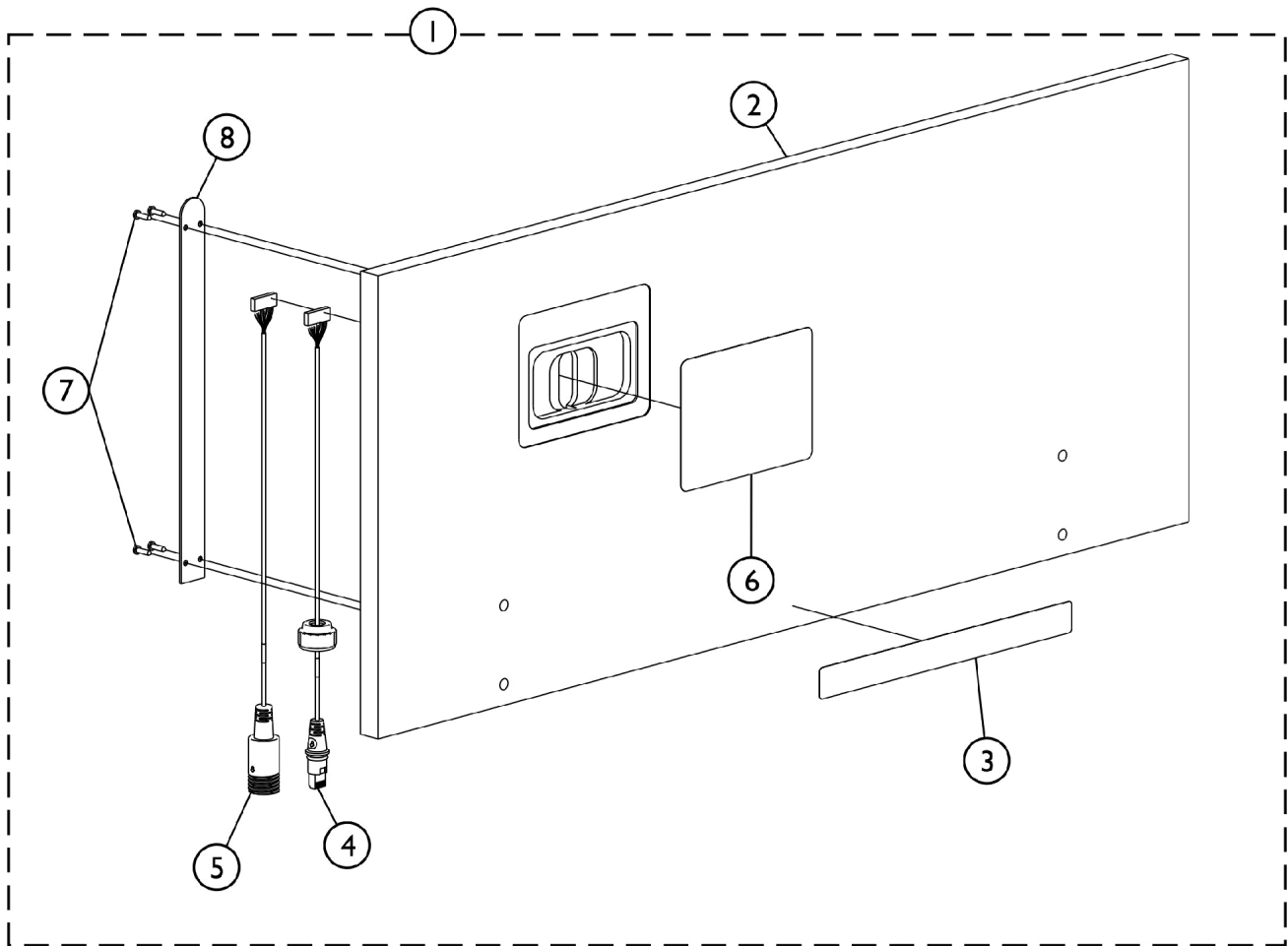


Footboard, ACP with Trendelenburg Feature, Analog Service



Footboard, ACP with Trendelenburg Feature, Analog Service

Item Number	Note	Part Number	Description	Quantity Per	
				Package	Assembly
1	A,B	1156545	Footboard Assembly, ACP w/ Trend, Analog Service	1	1
2			Footboard w/ ACP	1	1
3			Label, Caution Trendelenburg	1	1
4			Cable, Inboard Male - J1	1	1
5			Cable, Inboard Female - J2	1	1
6			NLA - Panel, Control Bed w/ Trend	1	1
7			Screw, Pan Head w/ Square Socket (#6-18 x 39/64")	1	4
8			Plate, Cover ACP	1	1

NOTE: A - Includes items 2-8
 B - For Analog Electronics before 8/17/10.

For Beds built prior to September 5th, 2008, Contact Customer Service.