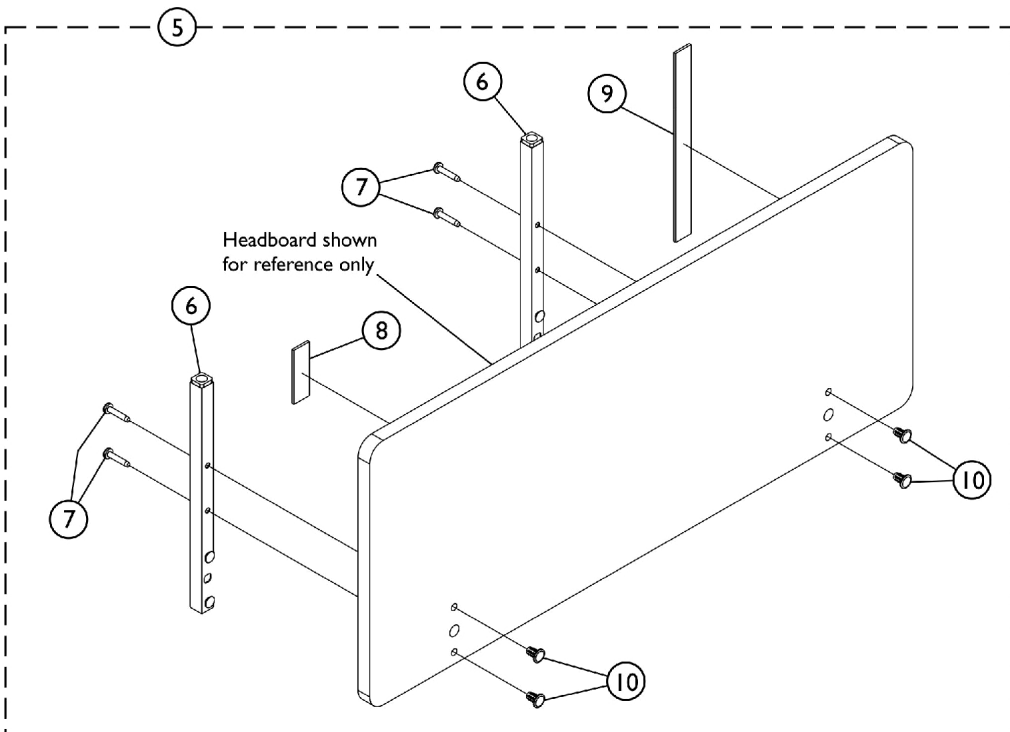
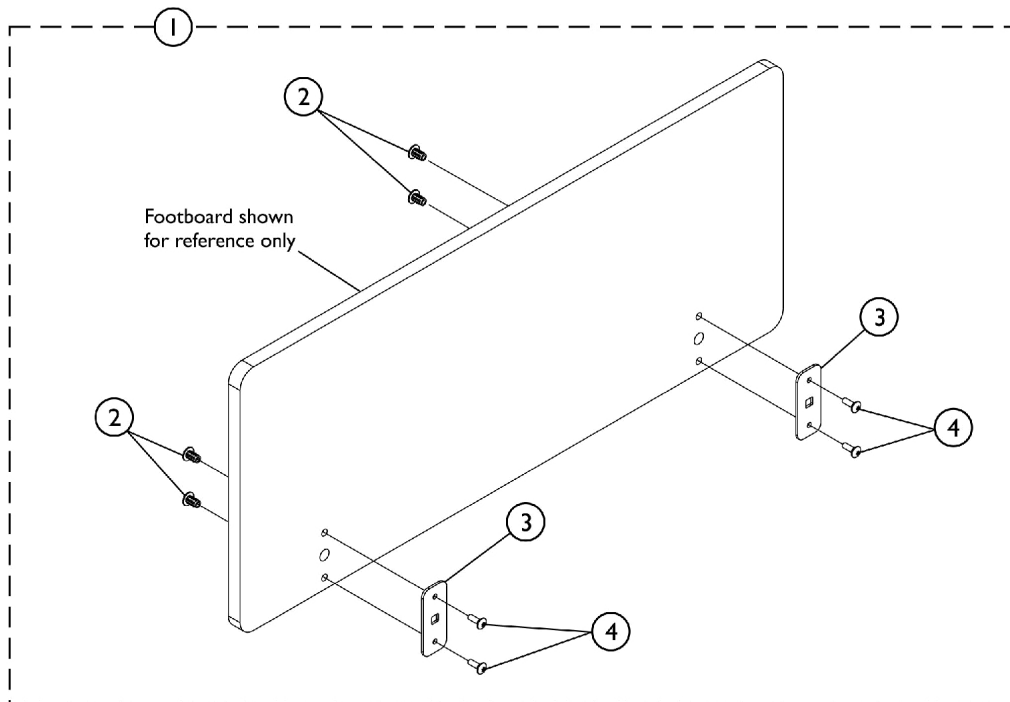


Headboard and Footboard



Headboard and Footboard

Item Number	Note	Part Number	Description	Quantity Per	
				Package	Assembly
1	A	1154448	Footboard Assembly Hardware, CS Service	1	1
2			Insert, Nut (1/4-20 x 3/4")	1	4
3			NLA - Bracket, Foot Board, Post	1	2
4			NLA - Screw, Shoulder, Torx® TR HD (1/4-20 x 3/4)	1	4
5	B	1154447	Headboard Assembly Hardware, CS Service	1	1
6			Post, Head Board	1	2
7			Screw, Machine, Pan Head (14-20 x 1-1/2")	1	4
8			Hook, PNDNT-V-Hook (1 x 3")	1	1
9			Strap, Cord Power PNDNT-V-Cord	1	1
10			Insert, Nut (1/4-20 x 3/4")	1	4
NOTE: A - Includes items 2-4 B - Includes items 6-10					
For Beds built prior to September 5th, 2008, Contact Customer Service.					