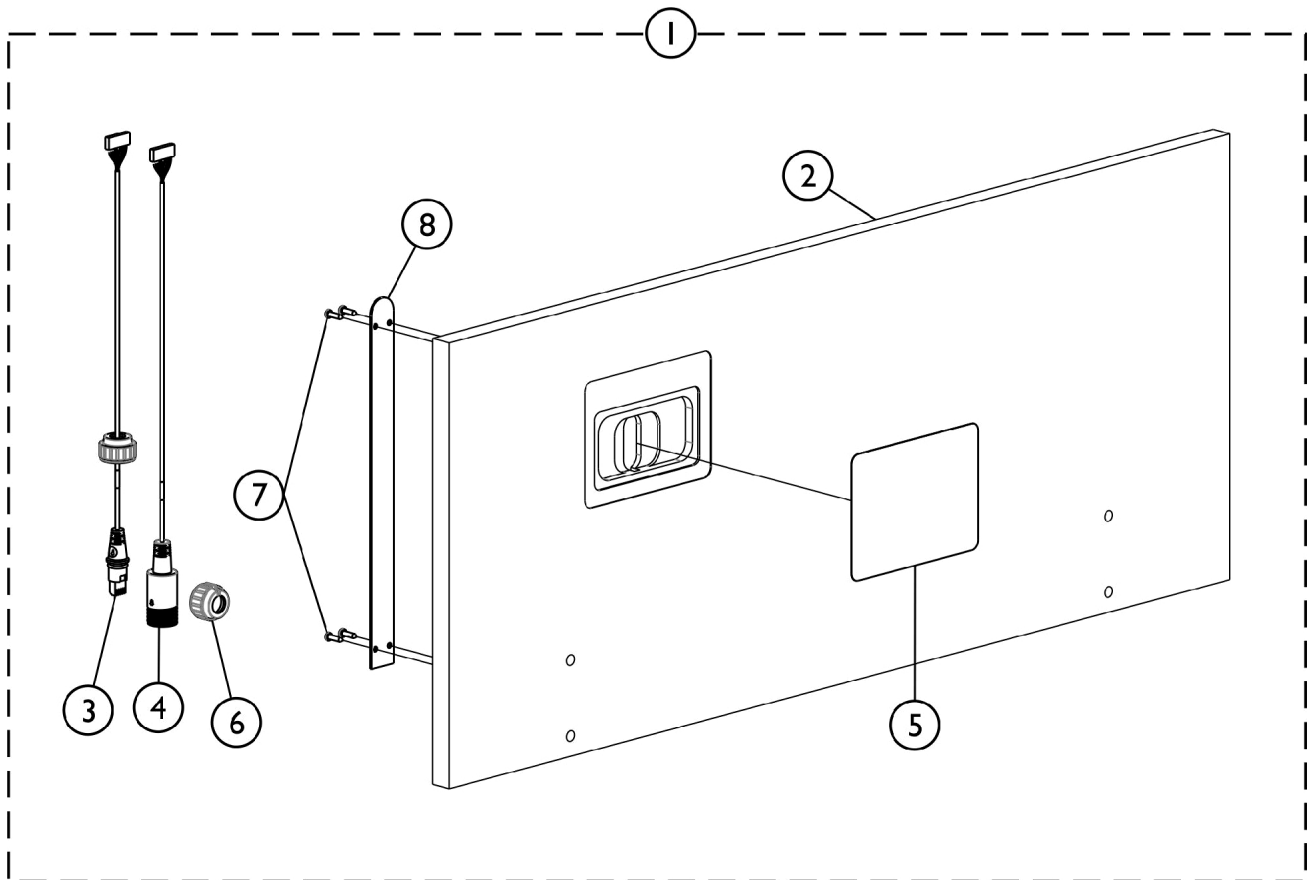


Footboard - ACP without Trendelenburg Feature



Footboard - ACP without Trendelenburg Feature

Item Number	Note	Part Number	Description	Quantity Per	
				Package	Assembly
1	A	1156529	ACP without Trend Assembly, CS3/CS5 Service	1	1
2			Footboard w/ ACP	1	1
3			Cable, Inboard Male - J1	1	1
4			Cable, Inboard Female - J2	1	1
5			Membrane, 151, CS3/5 (No Contour)	1	1
6			NLA - Nut, Split (M24 x 3)	1	1
7			Screw, Pan Head w/ Square Socket (#6-18 x 39/64")	1	1
8			Plate, Cover ACP	1	1

NOTE: A - Includes items 2-8

For Beds built prior to September 5th, 2008, Contact Customer Service.