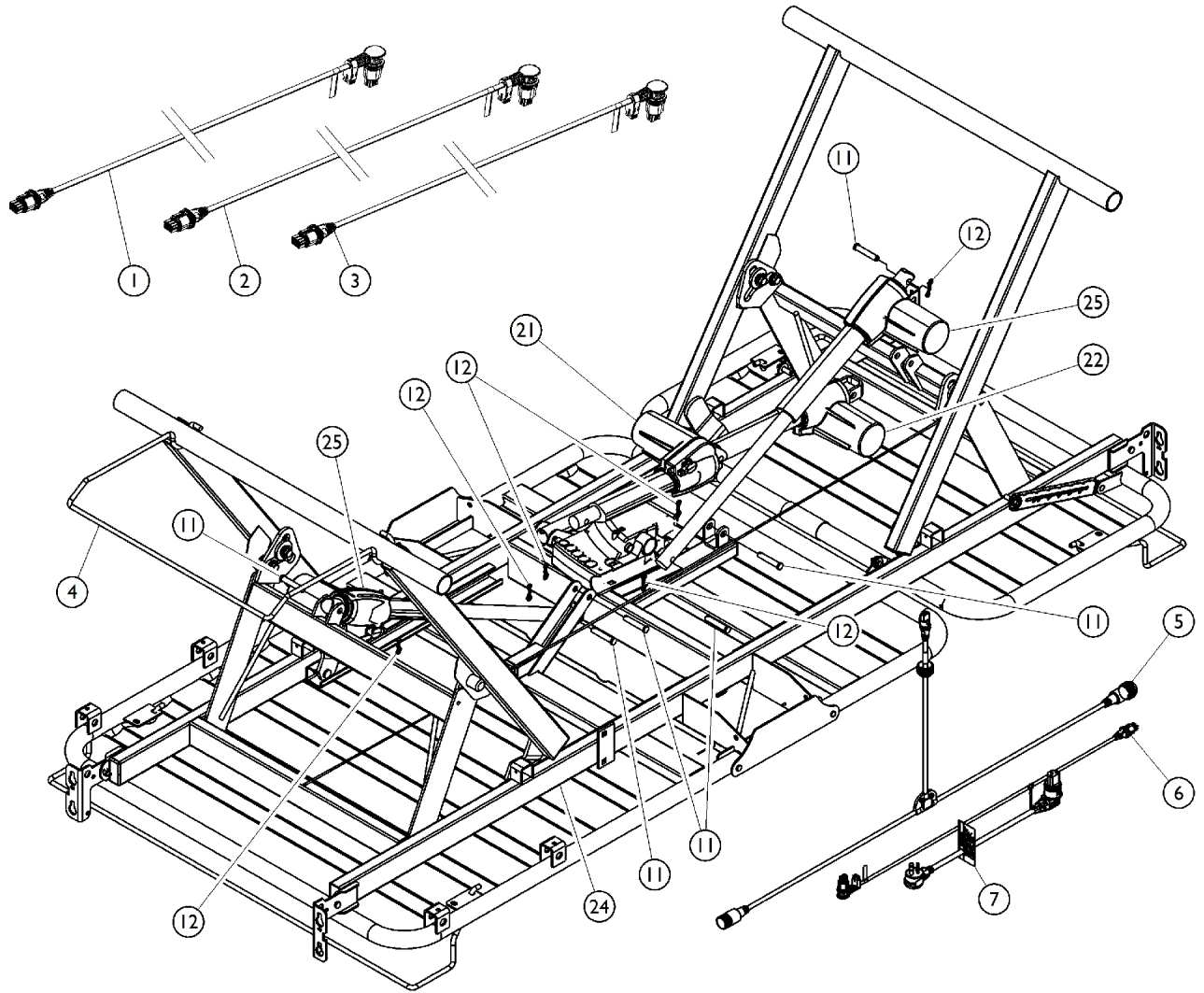


Wire Assembly



Wire Assembly

Item Number	Note	Part Number	Description	Quantity Per	
				Package	Assembly
1	B	1116640	Cable, Hi-Lo Motor w/ Red O-Ring (Head End)	1	1
1	C	1158431	Cable, HiLo Motor w/ Red O-Ring (Head End)	1	1
2	B	1116641	Cable, Head Actuator w/ Blue O-Ring	1	1
2	C	1158424	Cable, Motor, Foot (Blue)	1	1
3	B	1116642	Cable, Foot Actuator w/ Yellow O-Ring	1	1
3	C	1158425	Cable, Motor, Head (Yellow)	1	1
4		1152550	Wall Bumper Standard	1	1
5	B,C	1158433	Cable, T, w/o Footboard Staff Control (Standard)	1	1
6	B	1147601	Cable, Hi/Lo Motor w/ Black O-Ring (Foot End)	1	1
6	C	1158430	Cable, Motor, HiLo, Foot End (Black)	1	1
7	B,C	1165079	Power Cord	1	1
11		1186864	Clevis Pin (3/8 x 2" L)	1	6
12		PINBOW38-NLA	NLA - Cotter Pin, Bowtie (3/8")	1	6
21	B,C	1159613	Actuator, Head (LA27-U041-01)	1	1
22	B,C	1147532	Actuator, Foot (LA27-U042-01)	1	1
24		1149706	NLA - Frame, Bed	1	1
25	B	1165048	Kit, Actuator, HiLo w/ Tie Wrap (CS9FX600 Analog)	1	1
25	C	1158427	Actuator, HiLo (LA27-U086-00)	1	1
	D	1186883-NLA	NLA - Wrap, Tie (8")	1	12

NOTE: B - Used on beds manufactured before 8/17/2010.

C - Used on beds manufactured after 8/17/2010.

D - Not shown in illustration.