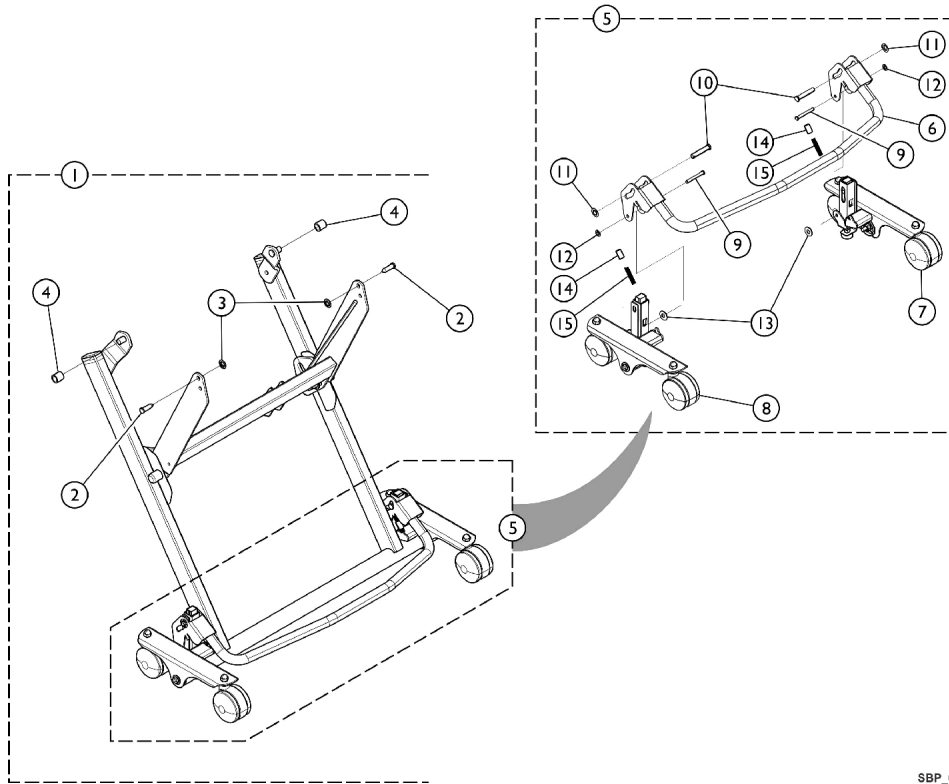


Leg Link Assembly w/ Floor Brake



SBP_026A

Item Number	Note	Part Number	Description	Quantity Per	
				Package	Assembly
1	A	1156565	Leg and Link Assembly (w/ Floor Lock)	1	1
2		1147524-NLA	NLA - Clevis Pin, Leg Link	1	2
3		1147566	Nut, Push (3/8")	1	2
4		1144984-NLA	NLA - Bushing, Glide - White	1	2
5	B	1149702-NLA	NLA - Floor Lock Assembly	1	1
6		1147260-NLA	NLA - Pedal, Brake	1	1
7		1147262	Caster Bracket Assembly, Foot End - Left	1	1
8		1147261	Caster Bracket Assembly, Foot End - Right	1	1
9		1147224-NLA	NLA - Clevis Pin, Pedal Flange	1	2
10		1186864	Clevis Pin (3/8 x 2" L)	1	2
11		1147566	Nut, Push (3/8")	1	2
12		1153363	Nut, Push (1/4")	1	2
13		1186872-NLA	NLA - Spacer, Foot Motor Extension Tube, Plastic	1	2
14		1152588-NLA	NLA - Bushing, Spring - Nylon	1	2
15		1147230-NLA	NLA - Spring, Compression - Brake Pedal	1	2
	C	1147534	Leg and Link Assembly	1	1

NOTE: A - Includes items 2 - 5 and 1147534.

B - Includes items 6 - 15.

C - See Section 3 "Leg Link Assembly w/ Casters" to order replacement parts.