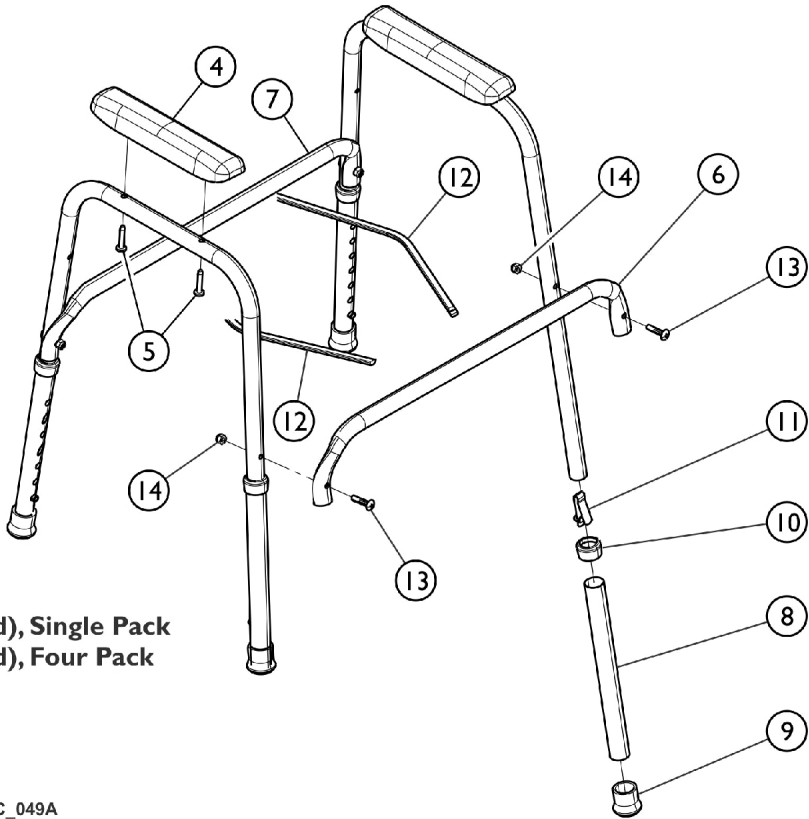
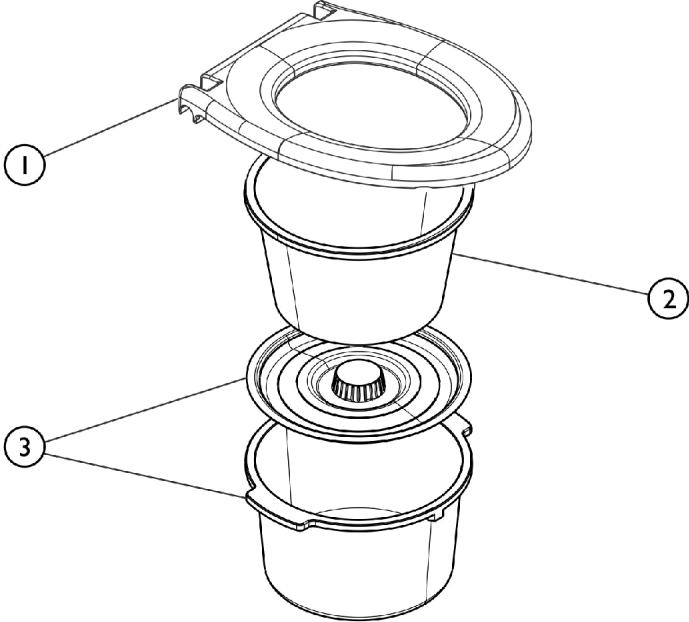


# Model 9610-4 Safeguard Commode (After 4/15/13) Light Grey Frame



9610-1 (Coated), Single Pack  
9610-4 (Coated), Four Pack

## Model 9610-4 Safeguard Commode (After 4/15/13) Light Grey Frame

Item Number	Note	Part Number	Description	Quantity Per	
				Package	Assembly
1		1536272	Seat, Toilet, Grey	1	1
2		1182244	Shield, Splash, Grey	1	1
3		1182247	Pail, w/ Lid, Grey	1	1
4		1182241-NLA	NLA - Armrest, Full Length, Grey	1	2
5		1061431-NLA	NLA - Screw, Phillips Pan Head (1/4 x 1-1/4")	1	4
6		1537391-NLA	NLA - Rail, Seat, Front, Coated	1	1
7		1182251-NLA	NLA - Rail, Seat, Rear, Coated	1	1
8		1182254-NLA	NLA - Leg, Extension, Coated	1	4
9		40186X030	Tip, Rubber, Grey (1")	1	4
10		1062021-NLA	NLA - Anti-Rattle, Grey (1")	1	4
11		1094945	Button, Snap	1	4
12		1537392	Pail Holder, Aluminum	1	2
13		1073248-NLA	NLA - Screw, Phillips Pan Head (1/4-20 x 1-1/4")	1	2
14		1008882	Locknut (1/4-20)	1	4