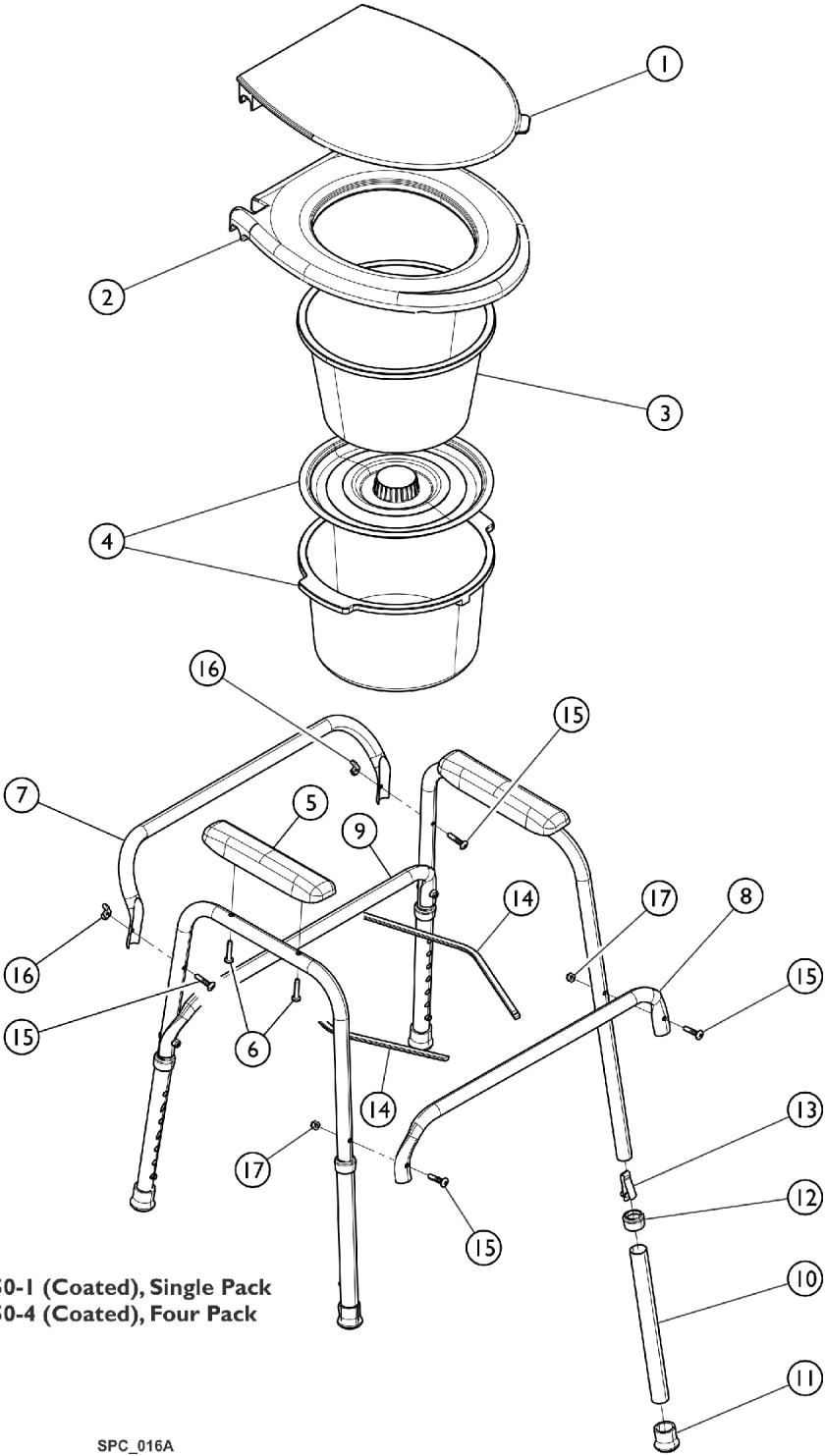


All In One Commode - Model 9650-1, 9650-4 (After 4/14/13)



9650-1 (Coated), Single Pack
9650-4 (Coated), Four Pack

All In One Commode - Model 9650-1, 9650-4 (After 4/14/13)

Item Number	Note	Part Number	Description	Quantity Per	
				Package	Assembly
1	A	1536472	Lid, Toilet, Grey	1	1
2	A	1536272	Seat, Toilet, Grey	1	1
3		1182244	Shield, Splash, Grey	1	1
4		1182247	Pail, w/ Lid, Grey	1	1
5		1182241-NLA	NLA - Armrest, Full Length, Grey	1	2
6		1061431-NLA	NLA - Screw, Phillips Pan Head (1/4 x 1-1/4")	1	2
7		1182819-NLA	NLA - Tube, Back, Coated	1	1
8		1182816-NLA	NLA - Rail, Seat, Front, Coated	1	1
9		1182817-NLA	NLA - Rail, Seat, Rear, Coated	1	1
10		1182813-NLA	NLA - Tube, Leg Extension	1	2
11		40186X030	Tip, Rubber, Grey (1")	1	2
12		1062021-NLA	NLA - Anti-Rattle, Grey (1")	1	2
13		1094945	Button, Snap	1	2
14		1537392	Pail Holder, Aluminum	1	2
15		1073248-NLA	NLA - Screw, Phillips Pan Head (1/4-20 x 1-1/4")	1	2
16		20148X002	Nut, Wing (1/4-20)	1	2
17		1008882	Locknut (1/4-20)	1	4
		1148075-NLA	NLA - Instruction Sheet	1	1

NOTE: A - Must be ordered together.

1536472 and 1536272 must be ordered together.