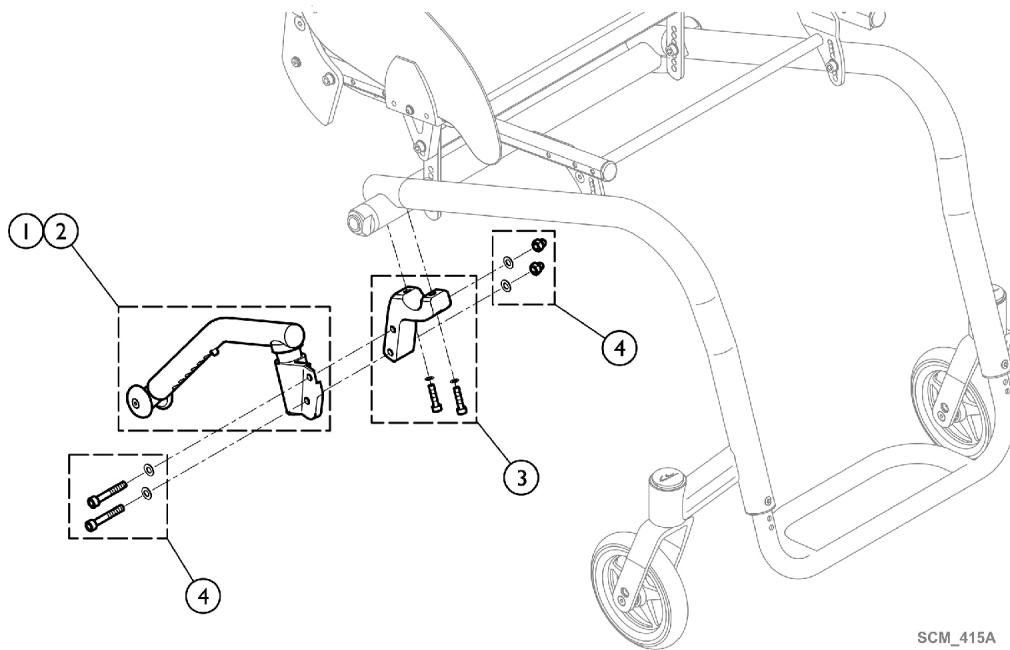


Options and Accessories - Anti-Tippers



SCM_415A

Item Number	Note	Part Number	Description	Quantity Per	
				Package	Assembly
1		1488927	Anti-Tipper, Short - Left, Complete	1	1
2		1488928	Anti-Tipper, Short - Right, Complete	1	1
3		1585058	Kit, Adaption Holder	1	1
4		1585083	Kit, Hardware, Adaption Holder	1	1