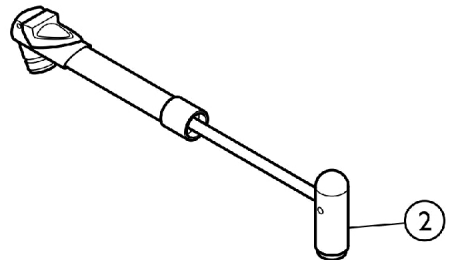
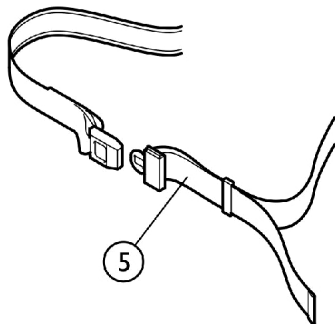
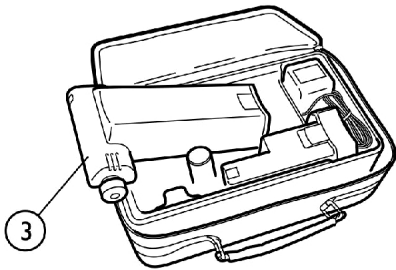
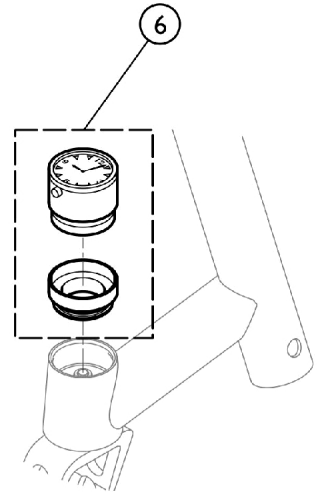
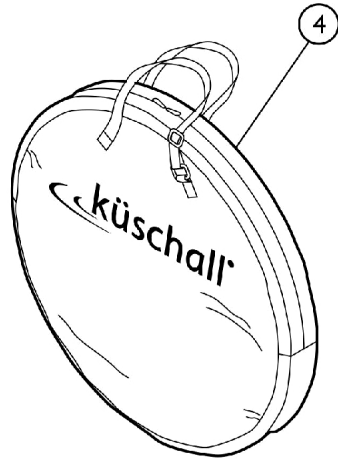
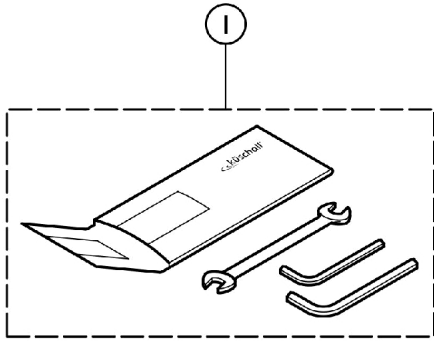


Options and Accessories - Chair Accessories



SCM_418A

Options and Accessories - Chair Accessories

Item Number	Note	Part Number	Description	Quantity Per	
				Package	Assembly
1		1518285	Tool Kit	1	1
2		1517924	Air Pump	1	1
3		1518286	Air Man	1	1
4		1518287	Wheel Bag 24" - 26"	1	1
5		1518288	Positioning Strap Assembly, Auto Style	1	1
6		1589117	Kit, Kuschall Watch Mounted, Bearing Block	1	1