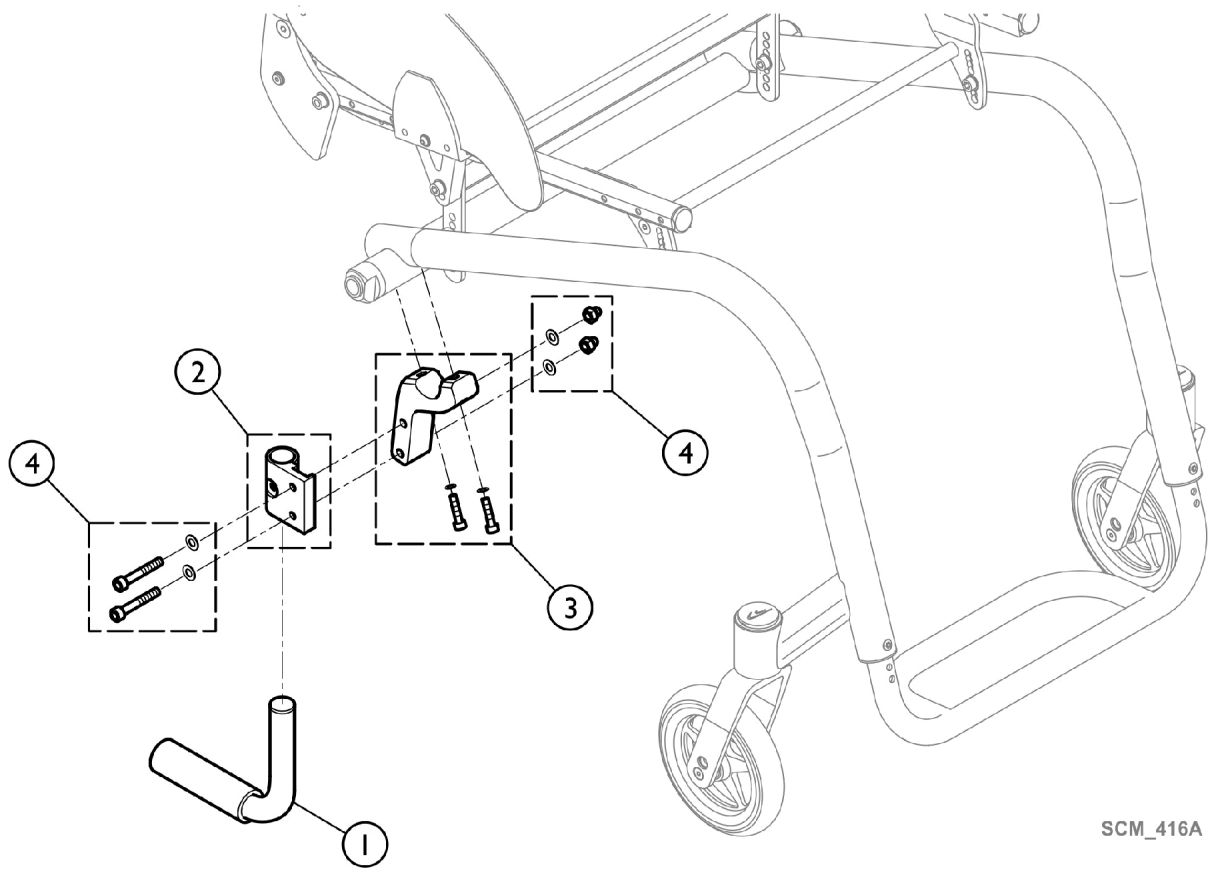


Options and Accessories - Tipping Aid



SCM_416A

Options and Accessories - Tipping Aid

Item Number	Note	Part Number	Description	Quantity Per	
				Package	Assembly
1		1438213	Tipper-Aid, Complete UL/C04	1	1
2		1585084	Adaption Holder	1	1
3		1585058	Kit, Adaption Holder	1	1
4		1585083	Kit, Hardware, Adaption Holder	1	1