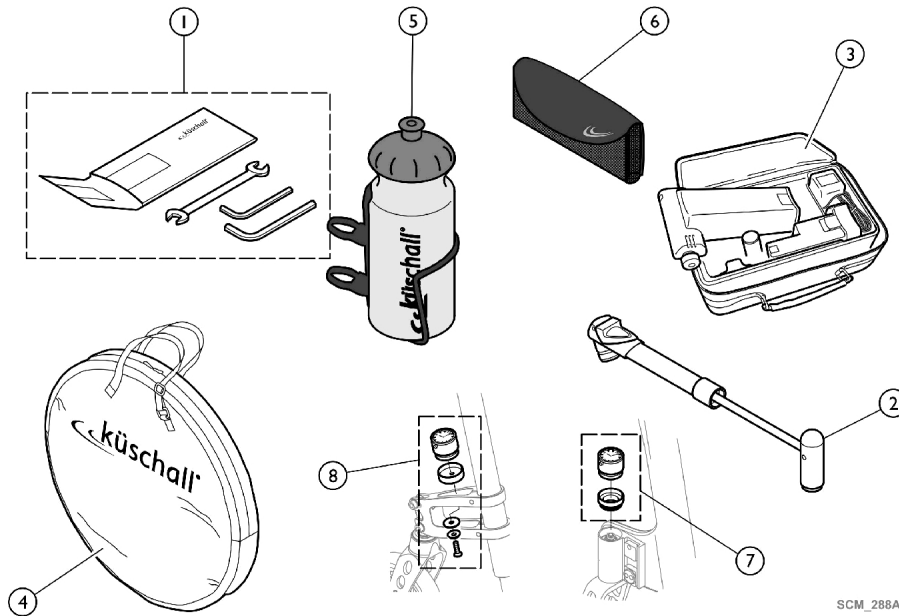


Options and Accessories - Chair Accessories



SCM_286A

Item Number	Note	Part Number	Description	Quantity Per	
				Package	Assembly
1		1518285	Tool Kit	1	1
2		1517924	Air Pump	1	1
3		1518286	Air Man	1	1
4		1518287	Wheel Bag 24" - 26"	1	1
5		1547625	Bottle Holder	1	1
6		1547622	Mobile Phone Holder	1	1
7		1589117	Kit, KÜschall Watch Mounted, Bearing Block	1	1
8		SP1601739	Kit, KÜschall Watch Mounted, Supporter, Front Wheel	1	1