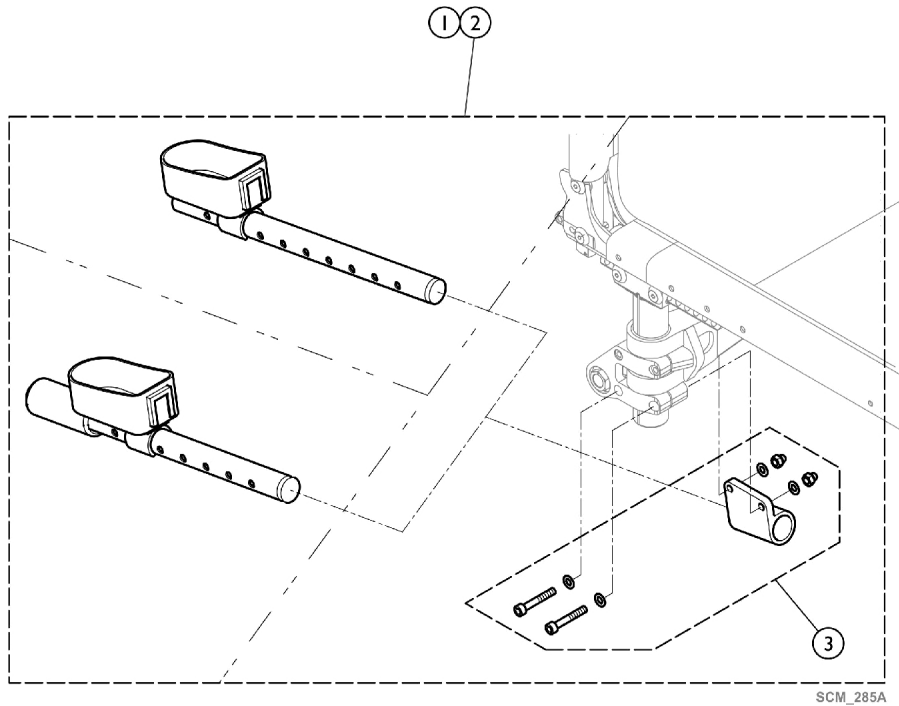


# Options and Accessories - Cane Holder



Item Number	Note	Part Number	Description	Quantity Per	
				Package	Assembly
1		1588805	Cane Holder, Complete	1	1
2		1588803	Tipper Aid and Cane Holder Combination, Complete	1	1
3		1588802	Kit, Adaptation Holder	1	1