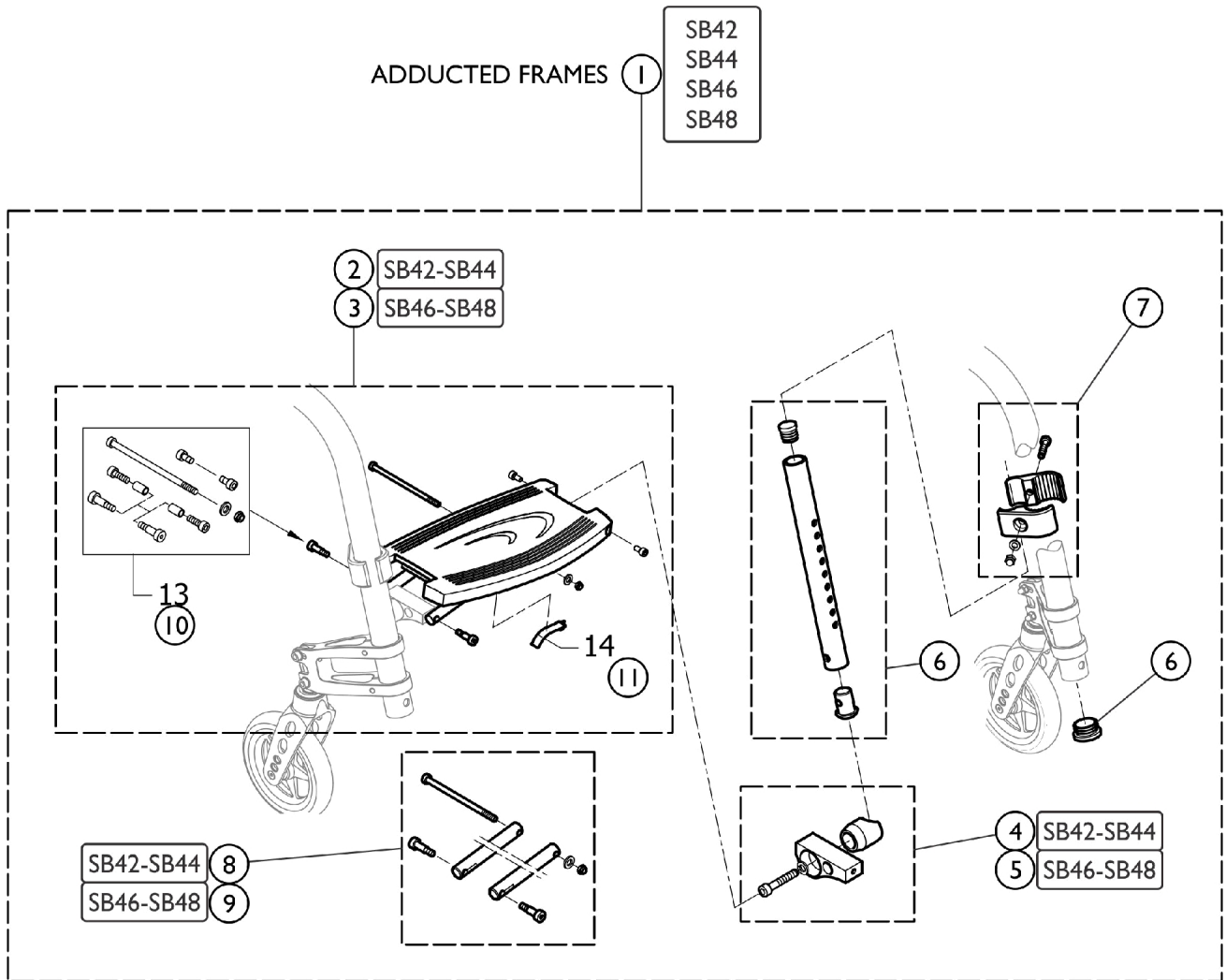


Footrest - Adducted Frame - High Mounted



Footrest - Adducted Frame - High Mounted

Item Number	Note	Part Number	Description	Quantity Per	
				Package	Assembly
1		See Chart	Footrest - Adducted Frame - High Mounted	1	1
2	A	1512177	Footrest Narrow	1	1
3	B	1512178	Footrest Medium	1	1
4	C	1588355	Lateral Hardware, Conical, Short	1	1
5	D	1588356	Lateral Hardware, Conical, Long	1	1
6		1588391	Kit, Telescopic Tube, Footrest, High Mounted (Pair)	2	1
7		1544613	Kit, Clamping, Footrest, High Mounted (Pair)	2	1
8	A	1579076	Tube, Short, Footplate Joint (Pair)	2	1
9	B	1579077	Tube, Medium, Footplate Joint (Pair)	2	1
10		1432123	Kit, Hardware, Footplate	1	1
11		1513175	Spring, Folding Aid, Champion 2003	1	1

NOTE: A - Used with SB42-SB44.
 B - Used with SB46-SB48.
 C - Used with SB42-SB46.
 D - Used with SB44-SB48.

Footrest - Adducted Frame - High Mounted

Option	Item #1
SB42	1588393
SB44	1588394
SB46	1588395
SB48	1588396