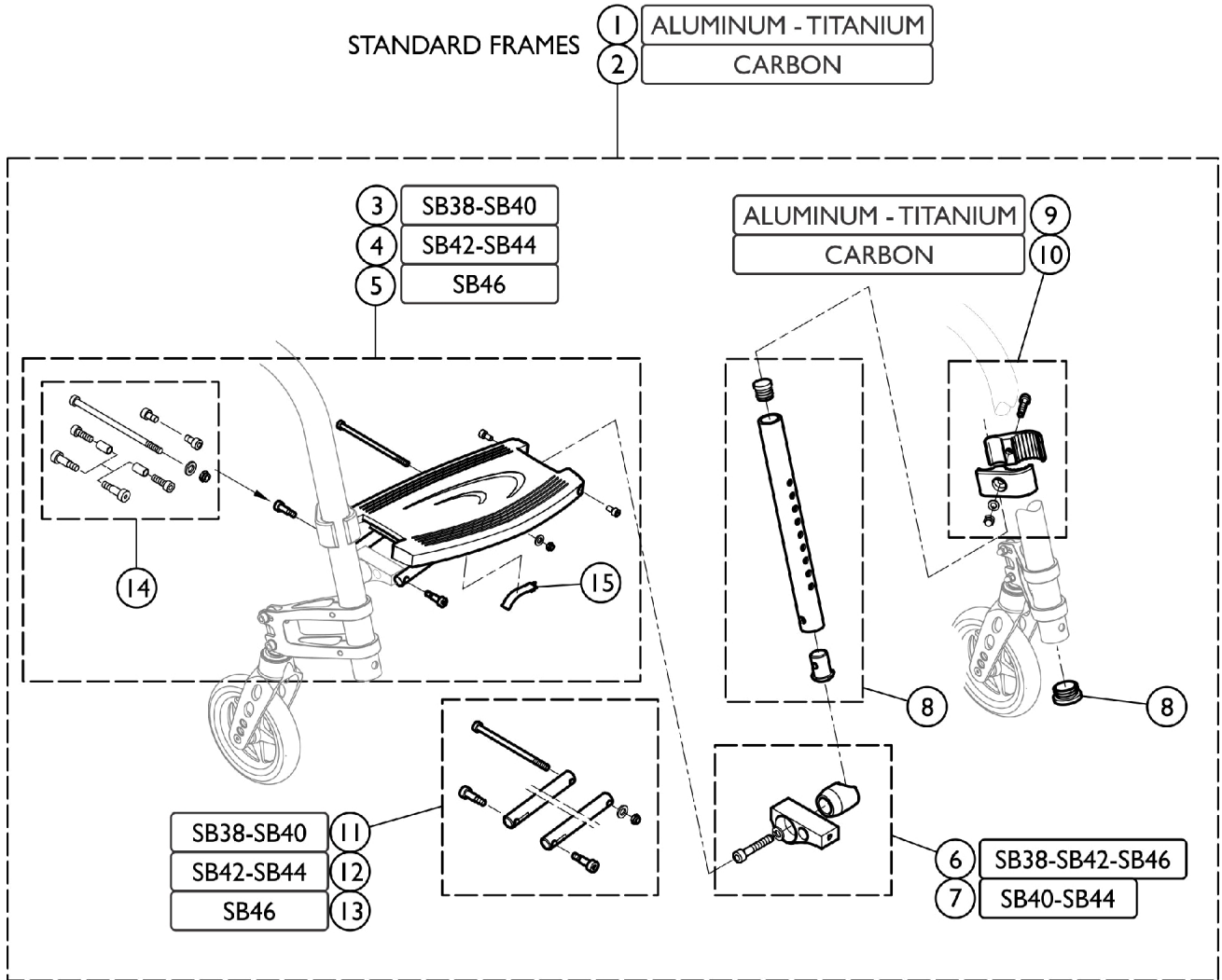


Footrest - Standard Frame - High Mounted



Footrest - Standard Frame - High Mounted

Item Number	Note	Part Number	Description	Quantity Per	
				Package	Assembly
1-2		See Chart	Footrest - Standard - High Mounted	1	1
3	A	1512177	Footrest Narrow	1	1
4	B	1512178	Footrest Medium	1	1
5	C	1512179	Footrest Wide	1	1
6	D	1588355	Lateral Hardware, Conical, Short	1	1
7	E	1588356	Lateral Hardware, Conical, Long	1	1
8		1588391	Kit, Telescopic Tube, Footrest, High Mounted (Pair)	2	1
9	F	1544613	Kit, Clamping, Footrest, High Mounted (Pair)	2	1
10	G	1588392	Kit, Clamping, Footrest, High Mounted, Frame, S Carbon (Pair)	2	1
11	A	1579076	Tube, Short, Footplate Joint (Pair)	2	1
12	B	1579077	Tube, Medium, Footplate Joint (Pair)	2	1
13	C	1579078	Tube, Long, Footplate Joint (Pair)	2	1
14		1432123	Kit, Hardware, Footplate	1	1
15		1513175	Spring, Folding Aid, Champion 2003	1	1

NOTE: A - Used with SB38-SB40.
 B - Used with SB42-SB44.
 C - Used with SB46.
 D - Used with SB38, SB42, and SB46.
 E - Used with SB40 and SB44.
 F - Aluminum and Titanium.
 G - Carbon.

Footrest - Standard - High Mounted

Option	Item #1 Aluminum or Titanium	Item #2 Carbon
SB38	1588369	1588386
SB40	1588370	1588387
SB42	1588371	1588388
SB44	1588384	1588389
SB46	1588385	1588390