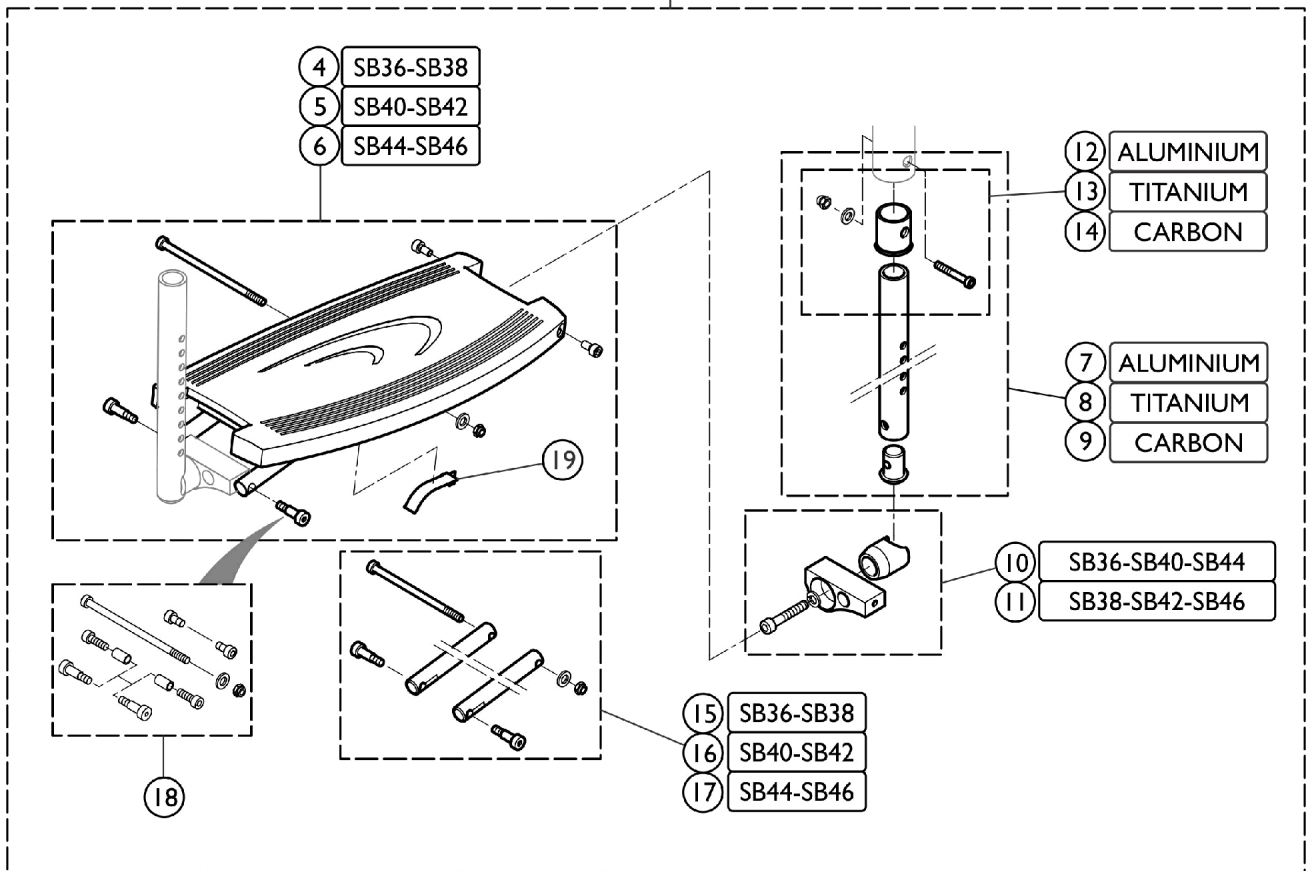


Footrest - Standard Frame

- STANDARD FRAMES
- ① ALUMINIUM
 - ② TITANIUM
 - ③ CARBON



Footrest - Standard Frame

| Item Number | Note | Part Number | Description | Quantity Per | |
|-------------|------|-------------|--|--------------|----------|
| | | | | Package | Assembly |
| 1-3 | | See Chart | Footrest - Standard | 1 | 1 |
| 4 | | 1512177 | Footrest Narrow | 1 | 1 |
| 5 | | 1512178 | Footrest Medium | 1 | 1 |
| 6 | | 1512179 | Footrest Wide | 1 | 1 |
| 7 | | 1588357 | Kit, Telescoic Footplate, Aluminum Frame | 1 | 1 |
| 8 | | 1588358 | Kit, Telescoic Footplate, Titanium Frame | 1 | 1 |
| 9 | | 1588359 | Kit, Telescoic Footplate, Carbon Frame | 1 | 1 |
| 10 | | 1588355 | Lateral Hardware, Conical, Short | 1 | 1 |
| 11 | | 1588356 | Lateral Hardware, Conical, Long | 2 | 1 |
| 12 | | 1588360 | Footrest Sleeve, Aluminum Frame | 1 | 1 |
| 13 | | 1588361 | Footrest Sleeve, Titanium Frame | 1 | 1 |
| 14 | | 1588362 | Footrest Sleeve, Carbon Frame | 1 | 1 |
| 15 | | 1579076 | Tube, Short, Footplate Joint (Pair) | 2 | 1 |
| 16 | | 1579077 | Tube, Medium, Footplate Joint (Pair) | 2 | 1 |
| 17 | | 1579078 | Tube, Long, Footplate Joint (Pair) | 2 | 1 |
| 18 | | 1432123 | Kit, Hardware, Footplate | 1 | 1 |
| 19 | | 1513175 | Spring, Folding Aid, Champion 2003 | 1 | 1 |

Footrest - Standard

| Option | Item #1 Aluminum | Item #2 Titanium | Item #3 Carbon |
|--------|---------------------|---------------------|-------------------|
| SB36 | 1588328 | 1588334 | 1588349 |
| SB38 | 1588329 | 1588335 | 1588350 |
| SB40 | 1588330 | 1588336 | 1588351 |
| SB42 | 1588331 | 1588346 | 1588352 |
| SB44 | 1588332 | 1588347 | 1588353 |
| SB46 | 1588333 | 1588348 | 1588354 |