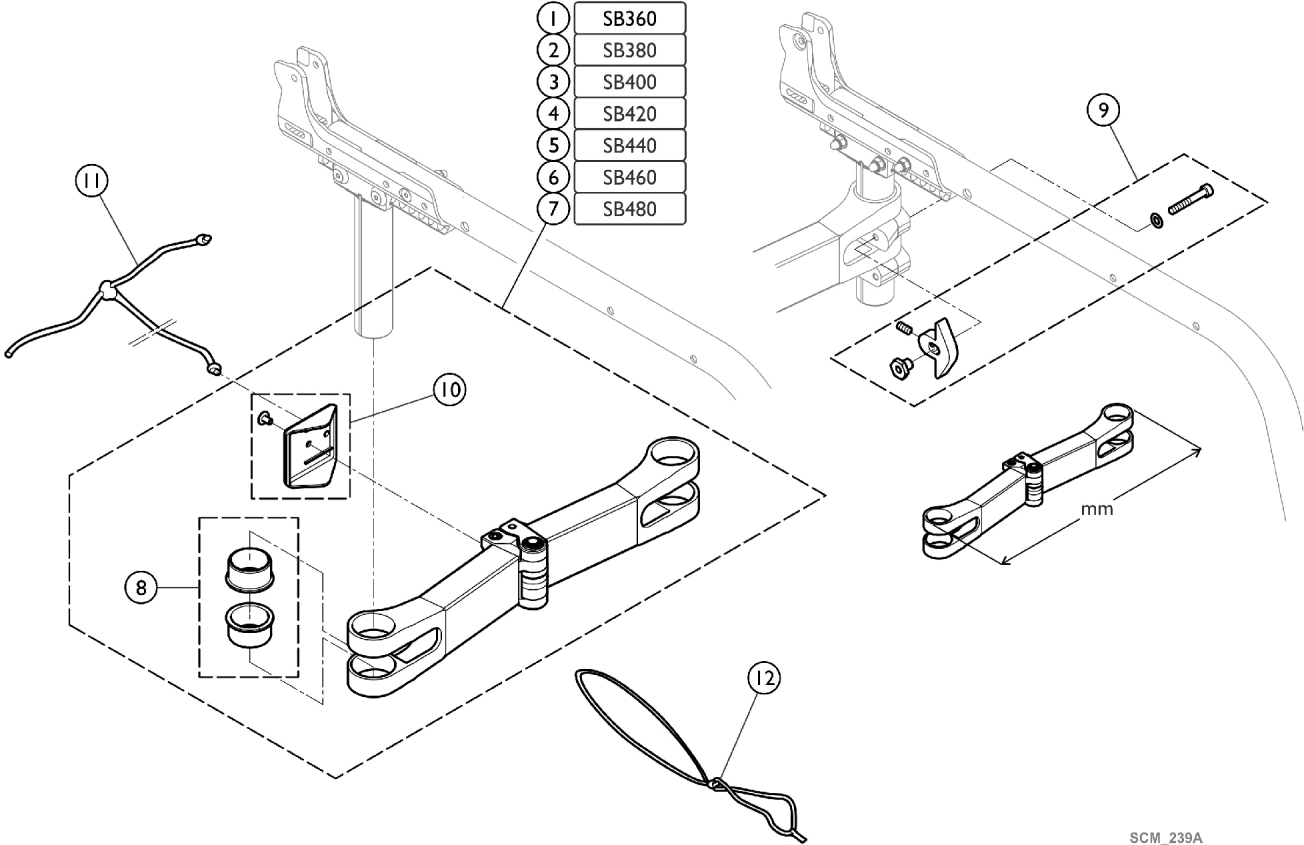


Chassis - Folding Unit



Chassis - Folding Unit

Item Number	Note	Part Number	Description	Quantity Per	
				Package	Assembly
1	A	1588012	Folding Unit Complete, 364mm.	1	1
2	B	1588013	Folding Unit Complete, 384mm.	1	1
3	C	1588014	Folding Unit Complete, 404mm.	1	1
4	D	1588015	Folding Unit Complete, 424mm.	1	1
5	E	1588016	Folding Unit Complete, 444mm.	1	1
6	F	1588017	Folding Unit Complete, 464mm.	1	1
7	G	1588018	Folding Unit Complete, 484mm.	1	1
8		1588019	Kit, Folding Unit Sleeves	1	1
9		1588007	Kit, Pressure Part, Folding Unit	2	1
10		1588036	Kit, Unlock Handle Protector	1	1
11		1588026	Folding Aid	1	1
12		1588025	Defolding Aid	1	1
NOTE: A - Use with SB360. B - Use with SB380. C - Use with SB400. D - Use with SB420. E - Use with SB440. F - Use with SB460. G - Use with SB480.					