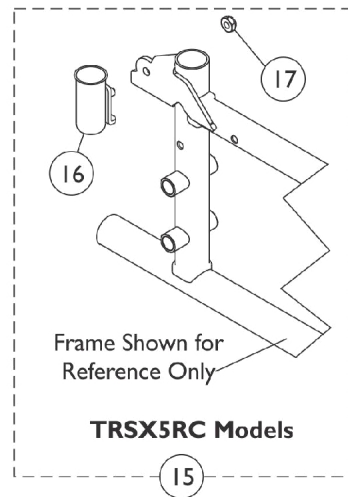
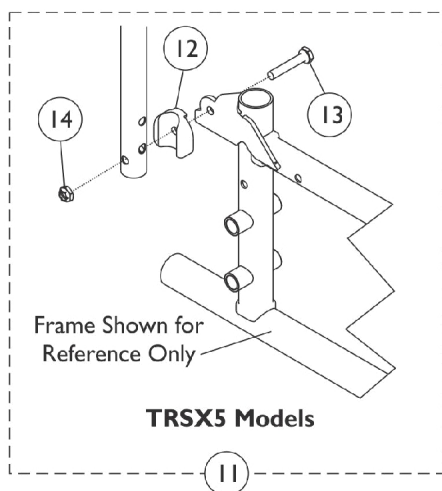
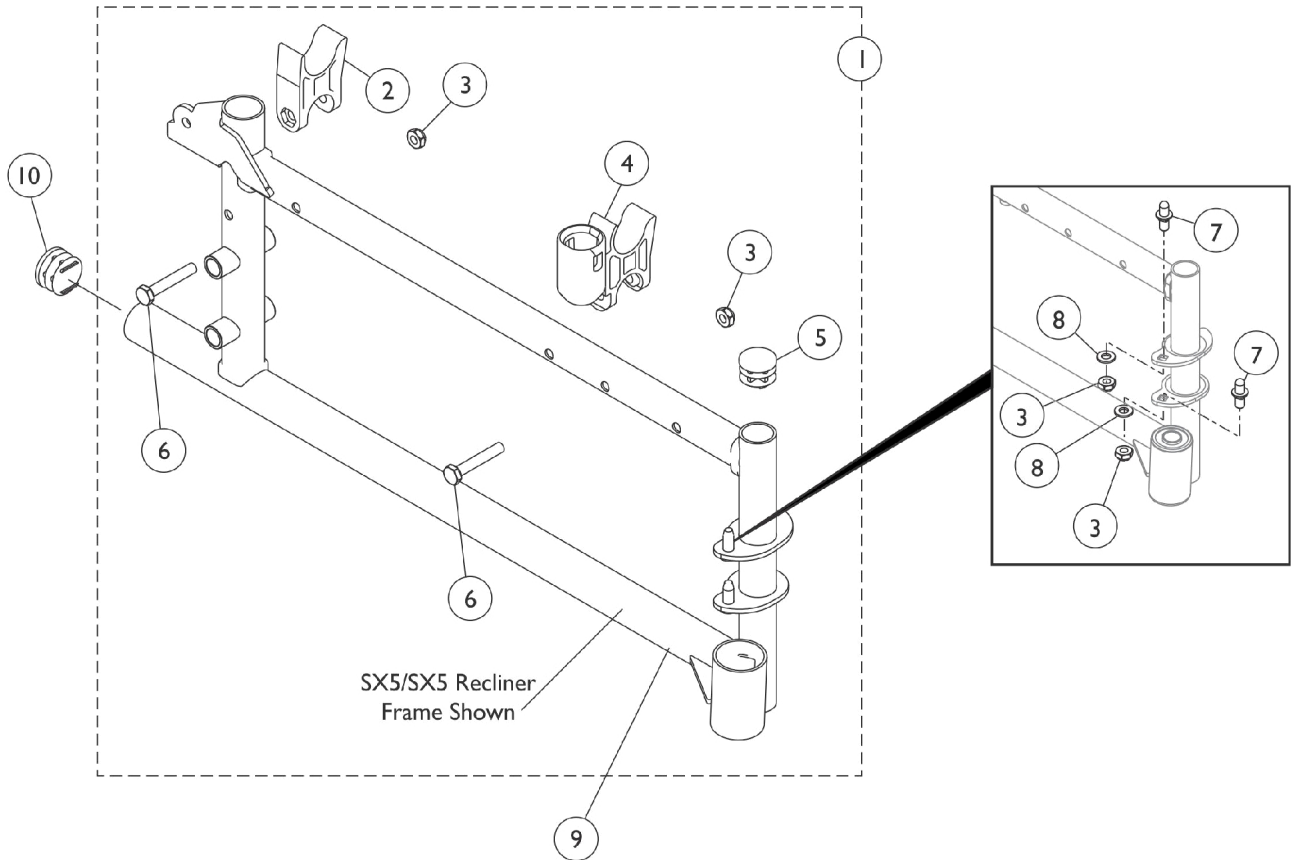


# Side Frames & Hardware - SX5 & SX5RC After 10/11/16

Bearing size is 5/8" After 10/11/16. After 02/20/17 only applies to stock models (TRSX5\_WCH16,18,20), (TRSX5\_CCAC1,2,3), (TRSX5R\_WCR16,18), (TRSX50FBP, TRSX56FBP, TRSX58FBP)



# Side Frames & Hardware - SX5 & SX5RC After 10/11/16

Bearing size is 5/8" After 10/11/16. After 02/20/17 only applies to stock models (TRSX5\_WCH16,18,20), (TRSX5\_CCAC1,2,3), (TRSX5R\_WCR16,18), (TRSX50FBP, TRSX56FBP, TRSX58FBP)

Item Number	Note	Part Number	Description	Quantity Per	
				Package	Assembly
1	A	1110093	Kit, Side Frame Hardware (Pair)	1	1
2			H-Block	1	2
3			Locknut (1/4-20)	1	4
4			H-Block with Socket Cup	1	4
5			Plug Button, Black (7/8")	1	2
6			Screw, Hex Head (1/4-20 x 1-1/2")	1	2
7			Pin, Hinge	1	4
8			Washer, Plain (1/4 x 1/2 x 9/16")	1	4
9	J,K	1194247	Frame, Side, Silver Vein- Right	1	1
9	J,K	1194249	Frame, Side, Silver Vein- Left	1	1
9	J,L	8881192867	Frame Assembly, Side, Color - Right	1	1
9	J,L	8881192868	Frame Assembly, Side, Color - Left	1	1
9	J,M	8881194274	Frame, Side, Color - Right	1	1
9	J,M	8881194275	Frame, Side, Color - Left	1	1
10	B	1029501	Plug Button, Black (1")	1	2
	B,E	15680X013	Anti-Rattle (1")	1	1
11	C	1110058	Hardware Kit, Arm Flip Back (Pair)	1	1
12			Spacer, Arm	1	2
13			NLA - Screw, Hex Head (1/4-20 x 1-3/8")	1	2
14			Locknut (1/4-20)	1	2
15	D	1110100	Kit, Rear Socket Non-Flip Back Arm Hardware, Color (Pair)	1	1
16			Socket, Arm Cup, Color - Right	1	1
16			Socket, Arm Cup, Color - Left	1	1
17			Locknut (1/4-20)	1	2
17		60275X000	Locknut (1/4-20)	1	1
	J	1192848	Bearing, Flange (5/8")	1	4

NOTE: A - Includes items 2-8.  
 B - For use on chairs without anti-tippers.  
 C - Includes items 12-14.  
 D - Includes items 16 and 17.  
 E - Not shown.  
 J - Not Shown. Flanged bearings are included in the side frame assemblies and (2) each are used per side. Currently Bearing part #1192848 is currently not available.  
 K - For Side Frames Before 11/28/05 for TRSX5RC and TRSX5 Before 4/12/13. (NOTE: TRSX5RC used Chrome Side Frames from 11/28/05-4/11/13).  
 L - For Side Frames After 4/11/13 for TRSX5. After 4/11/13 Side Frames were also revised to accept replaceable Hinge Pins. New Side Frame Hardware must be ordered when replacing a Side Frame.  
 M - For Side Frames After 4/11/13 for TRSX5RC. After 4/11/13 Side Frames were also revised to accept replaceable Hinge Pins. New Side Frame Hardware must be ordered when replacing a Side Frame.