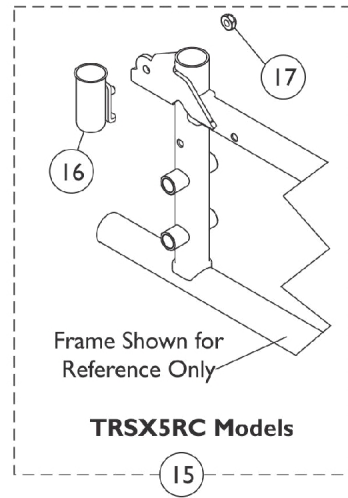
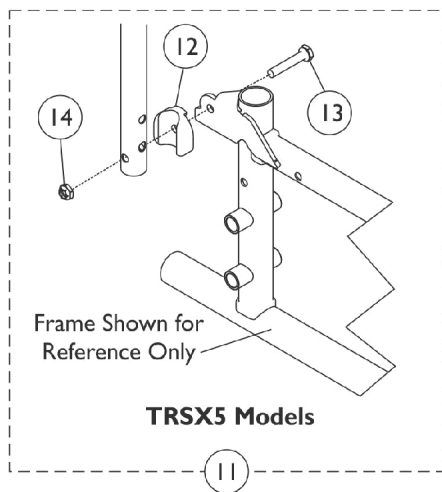
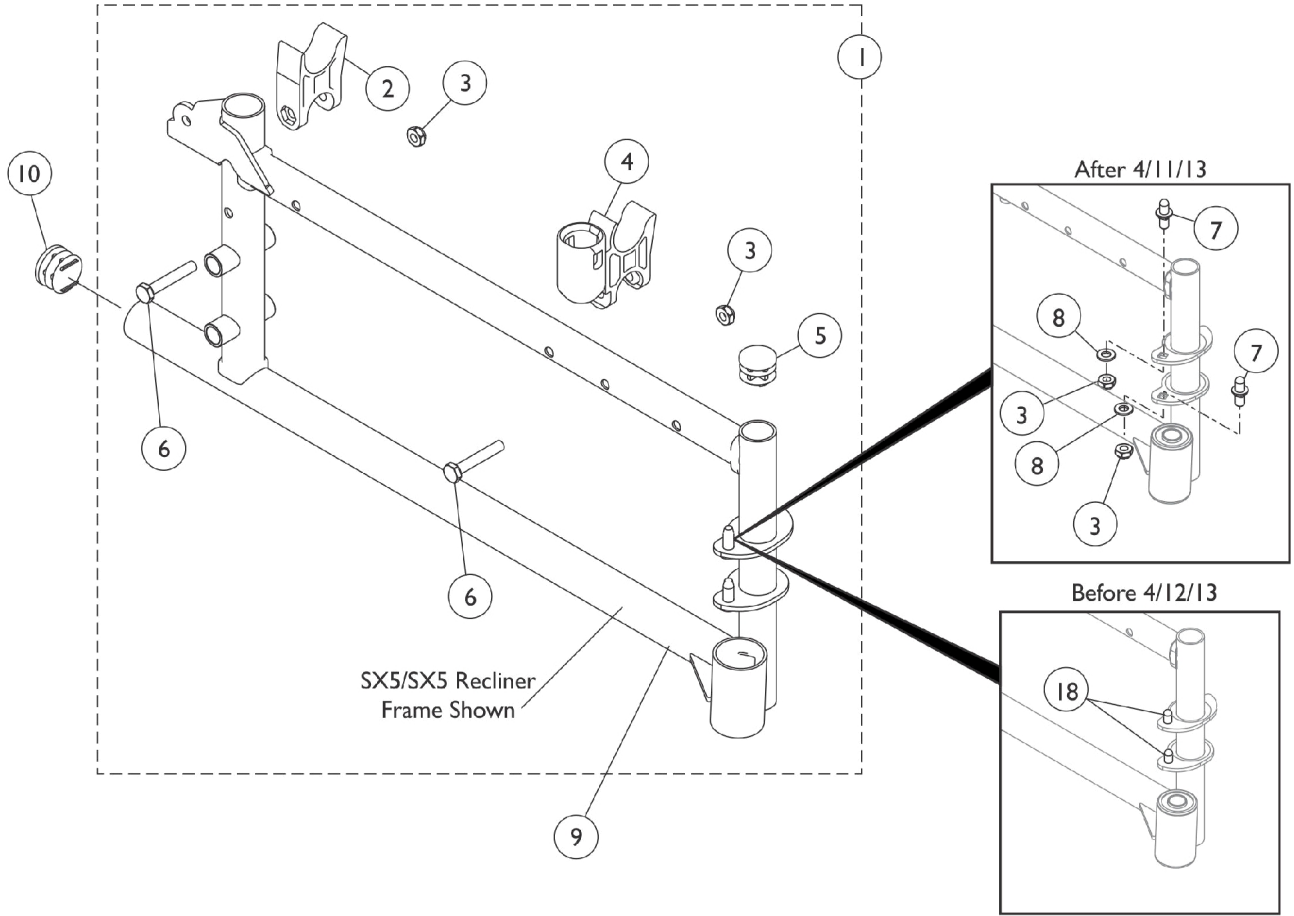


Side Frames & Hardware - SX5 & SX5RC Before 10/12/16

Bearing size was 1/2" Before 10/12/16. Before 02/21/17 only applies to stock models (TRSX5_WCH16,18,20), (TRSX5_CCAC1,2,3), (TRSX5R_WCR16,18), (TRSX50FBP, TRSX56FBP, TRSX58FBP)



Side Frames & Hardware - SX5 & SX5RC Before 10/12/16

Bearing size was 1/2" Before 10/12/16. Before 02/21/17 only applies to stock models (TRSX5_WCH16,18,20), (TRSX5_CCAC1,2,3), (TRSX5R_WCR16,18), (TRSX50FBP, TRSX56FBP, TRSX58FBP)

Item Number	Note	Part Number	Description	Quantity Per	
				Package	Assembly
1	A	1110093	Kit, Side Frame Hardware (Pair)	1	1
2			H-Block	1	2
3			Locknut (1/4-20)	1	4
4			H-Block with Socket Cup	1	4
5			Plug Button, Black (7/8")	1	2
6			Screw, Hex Head (1/4-20 x 1-1/2")	1	2
7			Pin, Hinge	1	4
8			Washer, Plain (1/4 x 1/2 x 9/16")	1	4
9	F,K,K1	1110054	Frame , Side, Silver Vein- Right	1	1
9	F,K,K1	1110055	Frame, Side, Silver Vein- Left	1	1
9	H,K,K1, L	8881117031	Frame Assembly, Side, Color - Right	1	1
9	H,K,K1, L	8881117032	Frame Assembly, Side, Color - Left	1	1
9	G,K,K1	1141398-NLA	NLA - Frame Assembly, Chrome - Right	1	1
9	G,K,K1	1141399-NLA	NLA - Frame Assembly, Chrome - Left	1	1
9	I,K,K1, L	8881181923	Frame Assembly, Color - Right	1	1
9	I,K,K1, L	8881181924	Frame Assembly, Color - Left	1	1
10	B	1029501	Plug Button, Black (1")	1	2
	B,E	15680X013	Anti-Rattle (1")	1	1
11	C	1110058	Hardware Kit, Arm Flip Back (Pair)	1	1
12			Spacer, Arm	1	2
13			NLA - Screw, Hex Head (1/4-20 x 1-3/8")	1	2
14			Locknut (1/4-20)	1	2
15	D,L	1110100	Kit, Rear Socket Non-Flip Back Arm Hardware, Color (Pair)	1	1
16			Socket, Arm Cup, Color - Right	1	1
16			Socket, Arm Cup, Color - Left	1	1
17			Locknut (1/4-20)	1	2
16	M	1110098	NLA - Socket, Arm Cup, Chrome - Right	1	1
16	M	1110099	NLA - Socket, Arm Cup, Chrome - Left	1	1
17		60275X000	Locknut (1/4-20)	1	1
18	K,K1	1096781	Kit, Hinge Pin Replacement Hardware (Pair)	1	1
			NLA - Wrench, Allen (3/32")	1	1
			Cap, Threaded	1	4
			Washer, Locking Split (#10)	1	4
			Screw, Socket Button Head Cap, Regulator (8-32 x 3/8")	1	4
	J	1001801	Bearing, Flange (1/2")	1	4

Side Frames & Hardware - SX5 & SX5RC Before 10/12/16

Bearing size was 1/2" Before 10/12/16. Before 02/21/17 only applies to stock models (TRSX5_WCH16,18,20), (TRSX5_CCAC1,2,3), (TRSX5R_WCR16,18), (TRSX50FBP, TRSX56FBP, TRSX58FBP)

- NOTE:
- A - Includes items 2-8.
 - B - For use on chairs without anti-tippers.
 - C - Includes items 12-14.
 - D - Includes items 16 and 17.
 - E - Not shown.
 - F - Before 11/28/05 for TRSX5RC and TRSX5 Before 4/12/13
 - G - 11/28/05-4/11/13 for TRSX5RC only.
 - H - After 4/11/13 for TRSX5. After 4/11/13 Side Frames were also revised to accept replaceable Hinge Pins. New Side Frame Hardware must be ordered when replacing Side Frames.
 - I - After 4/11/13 for TRSX5RC. After 4/11/13 Side Frames were also revised to accept replaceable Hinge Pins. New Side Frame Hardware must be ordered when replacing Side Frames.
 - J - Not Shown. Flanged bearings are included in the side frame assemblies and (2) each are used per side.
 - K - Hinge Pin Replacement Hardware Kit is only used on Side Frames w/ welded-on Hinge Pins manufactured before 4/12/13. Side Frames after 4/11/13 have Hinge Pin Saddle Plates w/ square holes to attach REMOVABLE Non-Welded Hinge Pins.
 - K1 - All Side Frames ordered after 4/11/13 have been revised to accept REMOVABLE Non-Welded Hinge Pins and require new Side Frame Hardware that will include the removable Hinge Pins also. Removable Hinge Pins are not sold separately.
 - L - Before 4/12/13, kit came with chrome Arm Cup Sockets. After 4/11/13 kit comes with 71P Silver Vein color Arm Cup Sockets. Order 71P Silver Vein when replacing a side frame.
 - M - Chrome Arm Cup Sockets are No Longer Available. Order item #15 part #1110100 as a replacement. The color will be 71P Silver Vein.