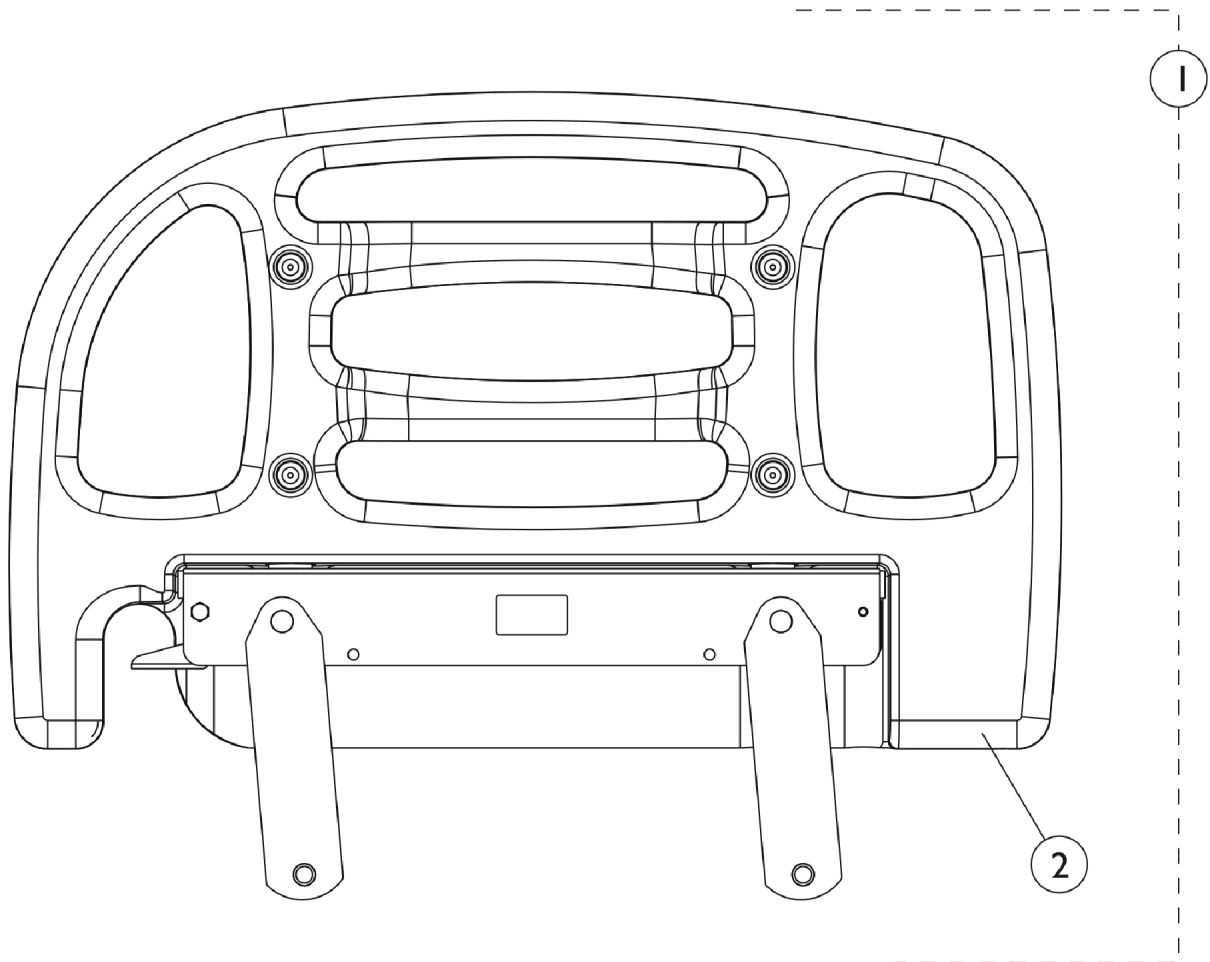


# Bed Rails - IHRAILTS-DLX ThinkSoft® Positioning Device



## Bed Rails - IHRAILTS-DLX ThinkSoft® Positioning Device

Item Number	Note	Part Number	Description	Quantity Per	
				Package	Assembly
1	A	1159105	ThinkSoft® Assembly Packaging	1	1
2		1157357	ThinkSoft® Positioning Device - Right	1	1
2		1157358	ThinkSoft® Positioning Device - Left	1	1
3		1157350	Kit, Pin Retaining DLX	1	1
			Bag, Poly (5" x 7")	1	1
			Pin, Retaining	4	1
			Washer, Nylon (1/2 x 7/8 x 1/16")	4	1
	B	1143214	Instruction Sheet, Bed Rail and ThinkSoft® Positioning Device	1	1
	B	1143698	Hardware, Rail Mounting	1	1
			Includes:		
			(1) Crossbar		
			(2) Pivot Bracket		
			(4) Locknut (1/4-20)		
			(4) Screw, Hex Head (1/4-20 x 5/8")		
NOTE: A - Includes Item 2 and 3, also comes with Instruction Sheet and Rail Mounting Hardware. B - Not Shown.					