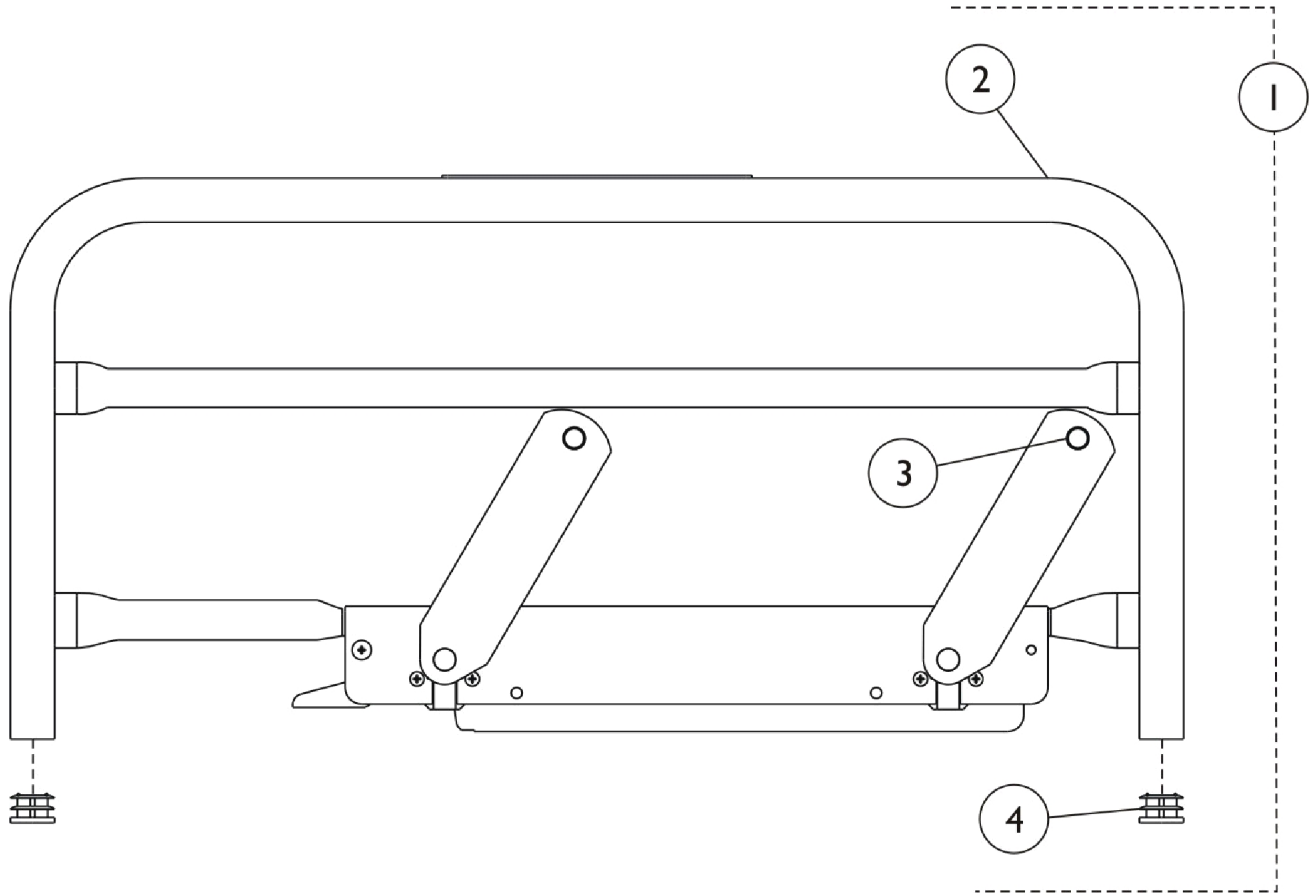


Model IH6815A - 1/2 Length Epoxy Rail, Head End



Model IH6815A - 1/2 Length Epoxy Rail, Head End

Item Number	Note	Part Number	Description	Quantity Per	
				Package	Assembly
1	A	1143708	Side Rail Assembly, 1/2 Length	1	1
2		1143362	Side Rail, 1/2 Length - Right	1	1
2		1143363	Side Rail, 1/2 Length - Left	1	1
3		033786	Screw, Socket Head (#10-32 x 3/8")	1	4
4		1165068	Package, End Plug	10	1
	B	020258	Wrench, Allen (5/32")	1	1
	B	1143214	Instruction Sheet, Bed Rail and ThinkSoft® Positioning Device	1	1
	B	1143698	Hardware, Rail Mounting Includes: (1) Crossbar (2) Pivot Bracket (4) Locknut (1/4-20) (4) Screw, Hex Head (1/4-20 x 5/8")	1	1
NOTE: A - Includes: Items 2, Instruction Sheet, and Attaching Hardware. B - Not Shown.					