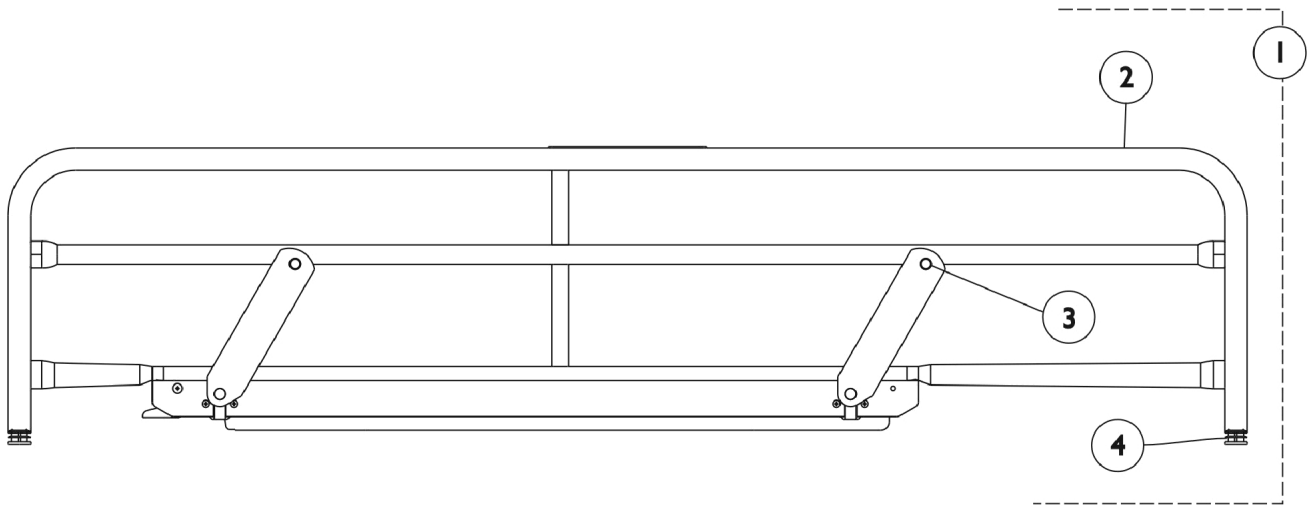


Model IH6808A - 3/4 Length Epoxy Rail



Model IH6808A - 3/4 Length Epoxy Rail

Item Number	Note	Part Number	Description	Quantity Per	
				Package	Assembly
1	A	1143712	Side Rail Assembly, 3/4 Length	1	1
2		1143387	Side Rail, 3/4 Length - Right	1	1
2		1143388	Side Rail, 3/4 Length - Left	1	1
3		033786	Screw, Socket Head (#10-32 x 3/8")	1	4
4		1165068	Package, End Plug	10	1
	B	020258	Wrench, Allen (5/32")	1	1
	B	1143214	Instruction Sheet, Bed Rail and ThinkSoft® Positioning Device	1	1
	B	1143699	Hardware, Rail Mounting Includes: (1) Crossbar Pivot (2) Pivot Bracket (8) Locknut (5/16-18) (8) Screw, Hex Head (5/16-18 x 1")	1	1
NOTE: A - Includes: Items 2, Instruction Sheet, and Attaching Hardware. B - Not Shown.					