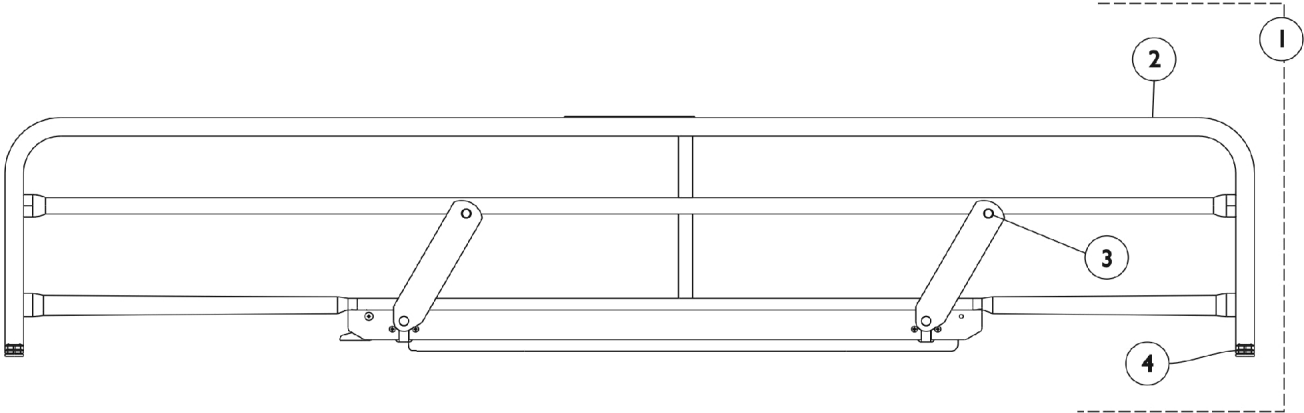


# Model IH6801A - Full Length Epoxy



## Model IH6801A - Full Length Epoxy

Item Number	Note	Part Number	Description	Quantity Per	
				Package	Assembly
1	A	1143713	Full Length Side Rail Assembly	1	1
2		1143693	Side Rail, Full Length - Right	1	1
2		1143694	Side Rail, Full Length - Left	1	1
3		033786	Screw, Socket Head (#10-32 x 3/8")	1	4
4		1165068	Package, End Plug	10	1
	B	020258	Wrench, Allen (5/32")	1	1
	B	1143214	Instruction Sheet, Bed Rail and ThinkSoft® Positioning Device	1	1
	B	1143699	Hardware, Rail Mounting Includes: (1) Crossbar Pivot (2) Pivot Bracket (8) Locknut (5/16-18) (8) Screw, Hex Head (5/16-18 x 1")	1	1
NOTE: A - Includes: Items 2-4, all Attaching Hardware, and Instruction Sheet. B - Not Shown.					