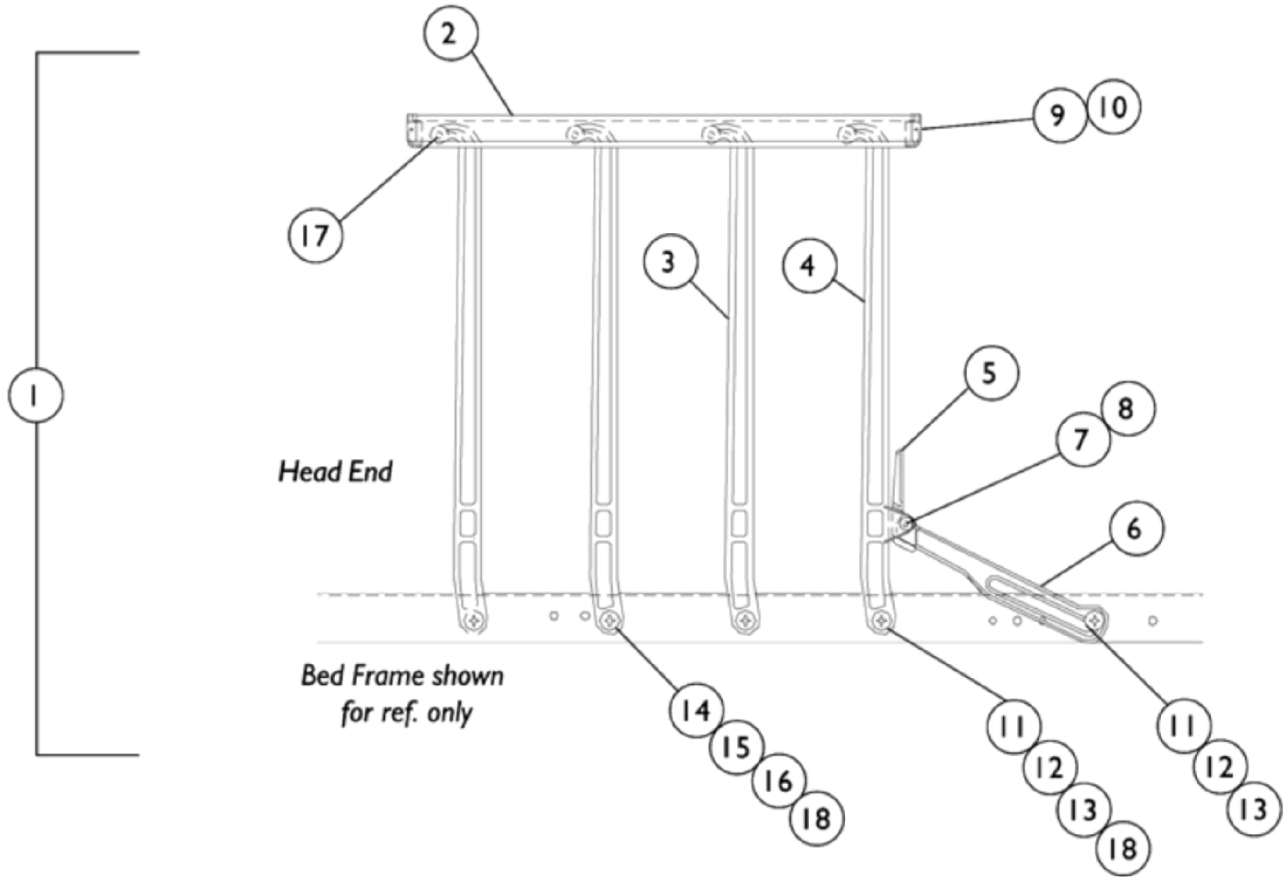


# Model IH5748A - 8 Bar Nylasar



## Model IH5748A - 8 Bar Nylasar

Item Number	Note	Part Number	Description	Quantity Per	
				Package	Assembly
1	A	1132013-NLA	NLA - Safety Side Rail Assembly - Right	1	1
1	A	1132014	Assembly, Safety Side Rail - Left	1	1
2		1142008-NLA	NLA - Rail, Cover and Guard - 8 Rail	1	1
3		000390-NLA	NLA - Arm, Pivot	1	7
4		000389-NLA	NLA - Arm, Latch	1	1
5		000388-NLA	NLA - Latch, Restraining Side Actuator	1	1
6		000494-NLA	NLA - Arm, Restraining Side Latch	1	1
7		000391-NLA	NLA - Pin, Latch	1	1
8		000173-NLA	NLA - Ring, Retaining (1/4")	1	1
9	C	000386-NLA	NLA - Cap, Guard Rail	1	2
10	C	009289-NLA	NLA - Adhesive	1	1
11		000397-NLA	NLA - Screw, Shoulder Hex Socket Head (3/8 x 1-1/2", 5/16-18)	1	9
12		53000M434	Locknut (5/16-18)	1	9
13		000387-NLA	NLA - Spacer (3/8 x 3/4 x 1/64")	1	9
14		000394-NLA	NLA - Bearing, Nylon (3/8")	1	16
15		000395	Washer, Steel (7/16 x 13/16 x 1/16")	1	8
16		000393-NLA	NLA - Washer, Rubber (7/16 x 27/32 x 1/8")	1	8
17		033466	Pin, Spring (1/4 x 13/16")	1	8
18		031195-NLA	NLA - Spacer (5/16 x 3/4 x 5/16")	1	8
	B	026626	Hardware, Tamper Resistant - Includes: (1) Bit, (18) Nuts, and (18) Spacers.	1	1
	B	1143214	Instruction Sheet, Bed Rail and ThinkSoft® Positioning Device	1	1
	B	1130183	Label, Entrapment Warning	1	1

NOTE: A - Includes: Items 2-18.  
 B - Not Shown.  
 C - The Adhesive is No Longer Available as a service part. Please use your own adhesive when installing the Guard Rail Cap.