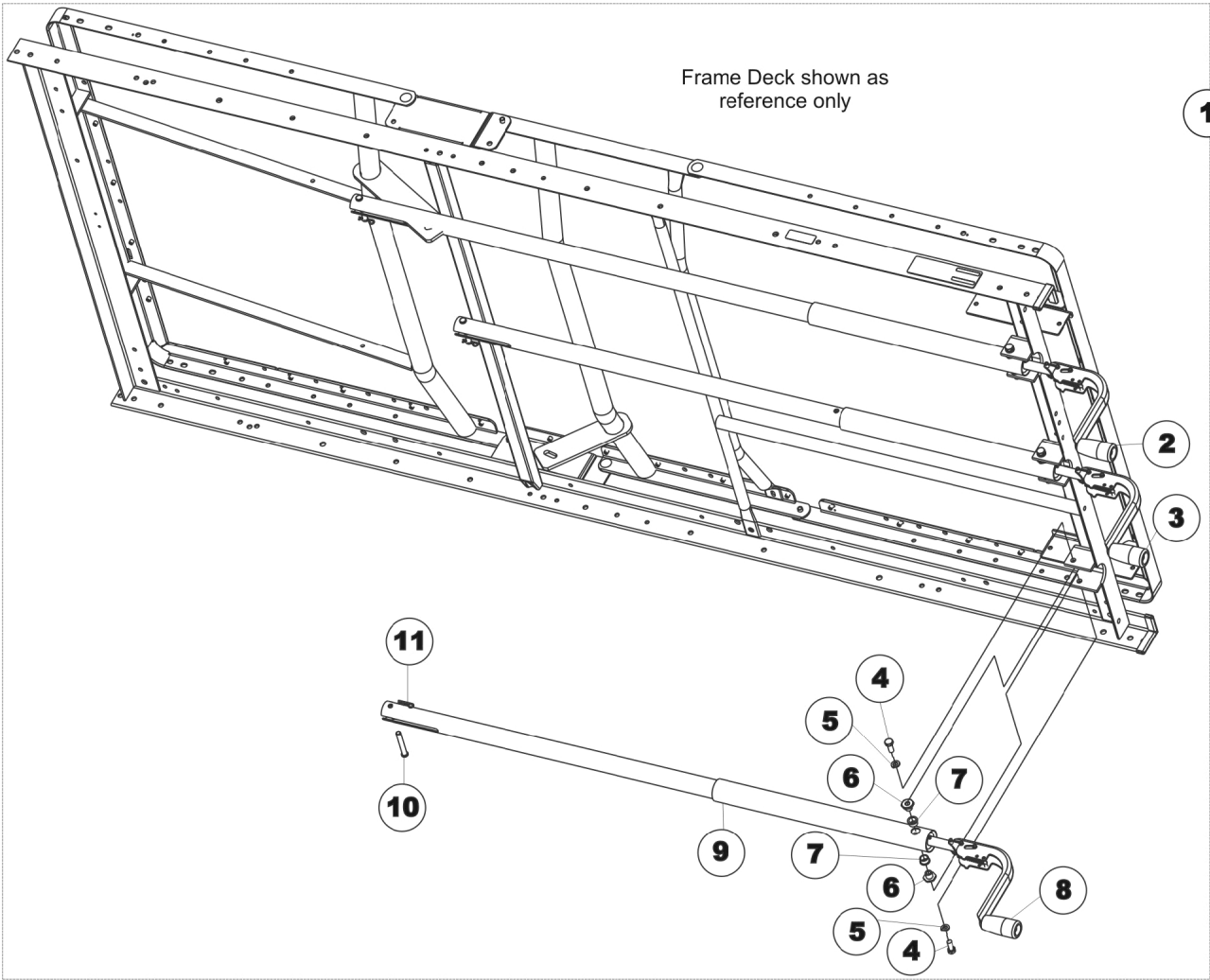


Manual Pull Tube & Crank Handle - 820DLX



Manual Pull Tube & Crank Handle - 820DLX

Item Number	Note	Part Number	Description	Quantity Per	
				Package	Assembly
1	A	1140811-NLA	NLA - Kit, Crank and Pull Tubes (Includes: Foot, Head, and Hi-Lo)	1	1
2		1141407-NLA	NLA - Manual, Head Crank and Pull Tube Assembly	1	1
3		1161917-NLA	NLA - Manual, Hi-Lo Crank and Pull Tube Assembly	1	1
4		001741	Screw, Hex Head (5/16-18 x 3/4")	1	6
5		001008	Washer, Split Lock (5/16")	1	6
6		001443	Bushing, Shoulder - Pivot	1	6
7		001405	Bushing, Flanged, Nylon	1	6
8		1141406	Manual, Foot Crank and Pull Tube Assembly	1	1
9		51000M191	Cover, Pull Tube (Head/Foot)	1	3
10		005952	Pin, Clevis (5/16 x 2-1/8")	1	3
11		51000M743	Pin, Hitch (3/8 x 1-3/16")	1	3

NOTE: A - Includes: Items 1-11.