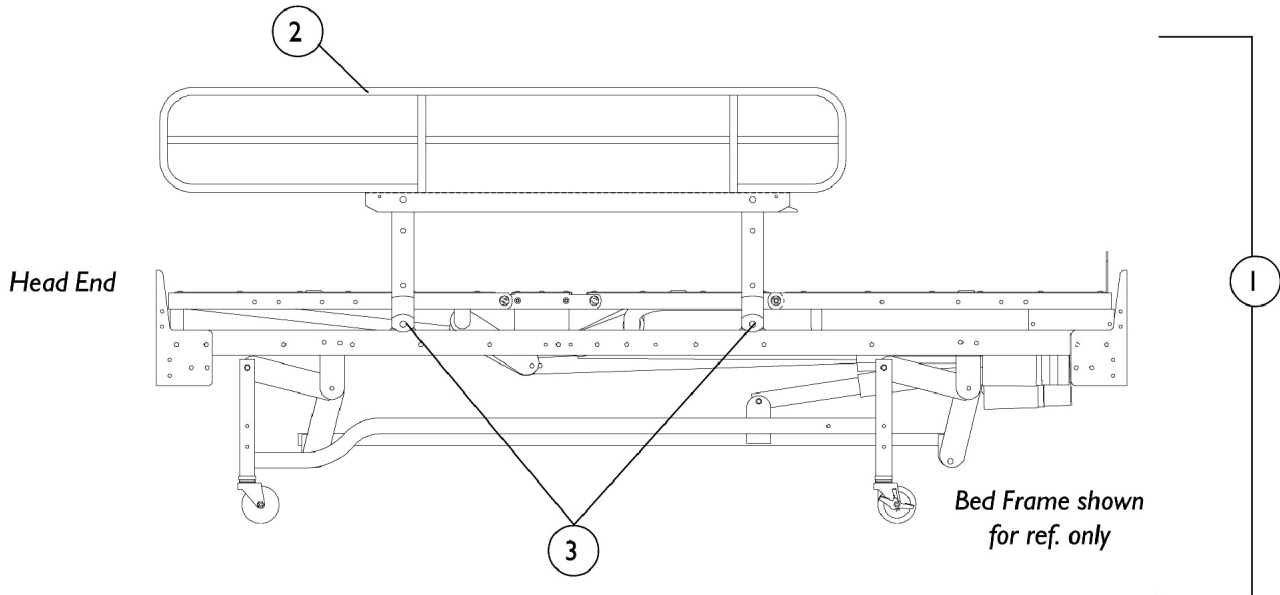


# Model IH6808 - 3/4 Length Epoxy Rail Discontinued

**NOTE:** Please make sure you are ordering parts for the correct model # IH6808. Parts for IH6808A are found in a different section of this book.

**NOTE:** The model #IH6808 was discontinued but can be directly replaced by the IH6808A model rails.



Item Number	Note	Part Number	Description	Quantity Per	
				Package	Assembly
1	A	1125236-NLA	NLA - Side Rail Assembly, 3/4 Length (Taupe)	1	1
2		1125248-NLA	NLA - Side Rail, 3/4 Length - Right (Taupe)	1	1
2		1125247-NLA	NLA - Side Rail, 3/4 Length - Left (Taupe)	1	1
3		033786	Screw, Socket Head (#10-32 x 3/8")	1	4
	B	020258	Wrench, Allen (5/32")	1	1
	B	020159	Plug Button, Dome (1/4")	1	4
	B	026715-NLA	NLA - Instruction Sheet, Bed Rail	1	1
	B	026842	Hardware, Rail Mounting	1	1
			Includes: (1) Crossbar Pivot, (4) Pivot Bracket, (8) Locknut (1/4-20"), and (8) Screw, Hex Head (1/4-20 x 5/8").		
NOTE: A - Includes: Items 2, Instruction Sheet, and Attaching Hardware. B - Not Shown.					