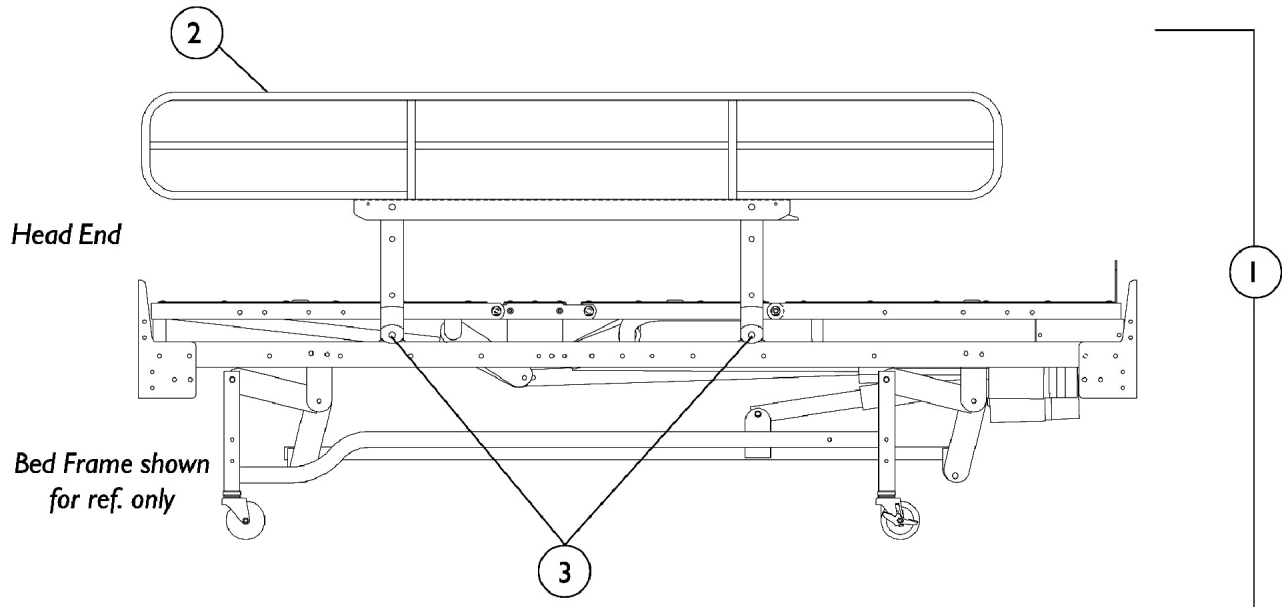


Model IH6801 - Full Length Epoxy Discontinued

NOTE: Please make sure you are ordering parts for the correct model # IH6801. Parts for IH6801A are found in a different section of this book.

NOTE: The model #IH6801 was discontinued but can be directly replaced by the IH6801A model rails.



Item Number	Note	Part Number	Description	Quantity Per	
				Package	Assembly
1	A	1125235-NLA	NLA - Full Length Side Rail Assembly, Taupe	1	1
2		1125246-NLA	NLA - Side Rail, Full Length - Right (Taupe)	1	1
2		1125245-NLA	NLA - Side Rail, Full Length - Left (Taupe)	1	1
3		033786	Screw, Socket Head (#10-32 x 3/8")	1	4
	B	020159	Plug Button, Dome (1/4")	1	4
	B	020258	Wrench, Allen (5/32")	1	1
	B	026715-NLA	NLA - Instruction Sheet, Bed Rail	1	1
	B	026842	Hardware, Rail Mounting	1	1
			Includes: (1) Crossbar Pivot, (4) Pivot Bracket, (8) Locknut (1/4-20"), and (8) Screw, Hex Head (1/4-20 x 5/8").		
<p>NOTE: A - Includes: Items 2-3, all Attaching Hardware, and Instruction Sheet. B - Not Shown.</p>					