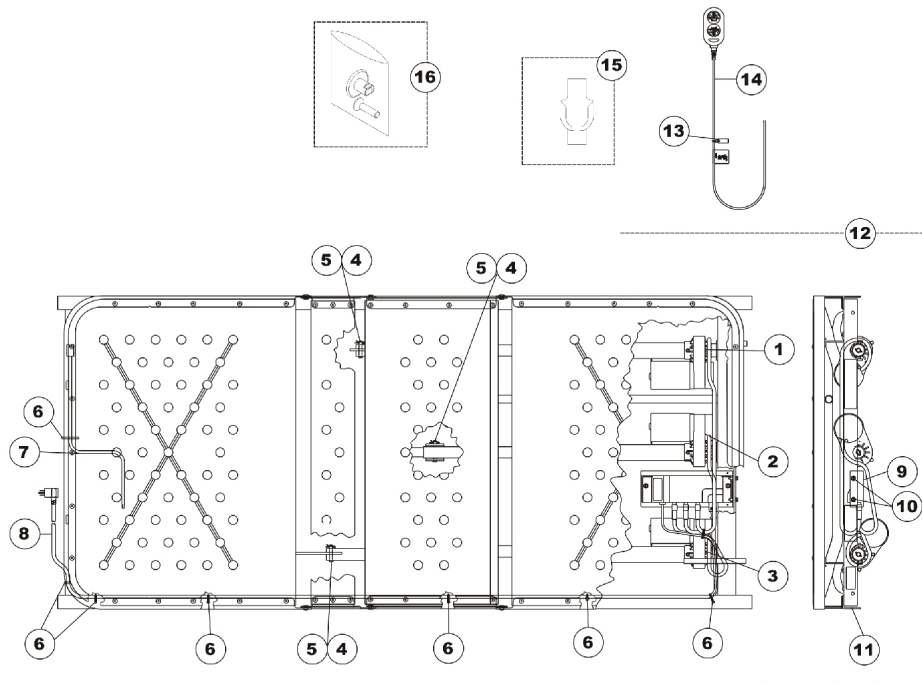


Motors and Components - Full Electric



Item Number	Note	Part Number	Description	Quantity Per	
				Package	Assembly
1		1124057-NLA	NLA - Motor/Gear Assembly, Foot	1	1
2		1124060-NLA	NLA - Motor/Gear Assembly, Hi-Lo - Full Travel	1	1
2	C	1132054-NLA	NLA - Motor/Gear Assembly, Hi/Lo - Limited Travel	1	1
3		1124058-NLA	NLA - Motor/Gear Assembly, Head	1	1
4		005952	Pin, Clevis (5/16 x 2-1/8")	1	3
5		51000M743	Pin, Hitch (3/8 x 1-3/16")	1	3
6		000438	Tie Wrap (15-1/2" L)	1	7
7		5880M004	Crank, Emergency, Dark Brown	1	2
8		1126158-NLA	NLA - Power Cord Assembly	1	1
8		026874	Cord, Power	1	1
9		026757-NLA	NLA - Junction Box w/ Bracket Assembly (Dark Brown)	1	1
10		54000M515	Screw, Slotted Hex Head Tap (1/4-20 x 3/4")	1	2
11		1124062-NLA	NLA - Frame & Deck Assembly, Taupe	1	1
12	A	1124076-NLA	NLA - Bed, Electric Assembly	1	1
12	C,A	1132055-NLA	NLA - Bed. Electric Assembly (Limited Travel)	1	1
13	D	026975-NLA	NLA - Clip, Pendant - Plastic "C"	1	1
14	B	026980	Pendant, Full Electric, 6 Channel w/ Clip	1	1
15		1133841	Holster, Pendant	1	1
16		1133843-NLA	NLA - Kit, Pendant Button	1	1

NOTE: A - Includes: Items 1-11.
 B - Includes: Item 13.
 C - For use on Limited Travel Option.
 D - For use on Nylasar Rails. Order both items 13 & 15 for replacement.