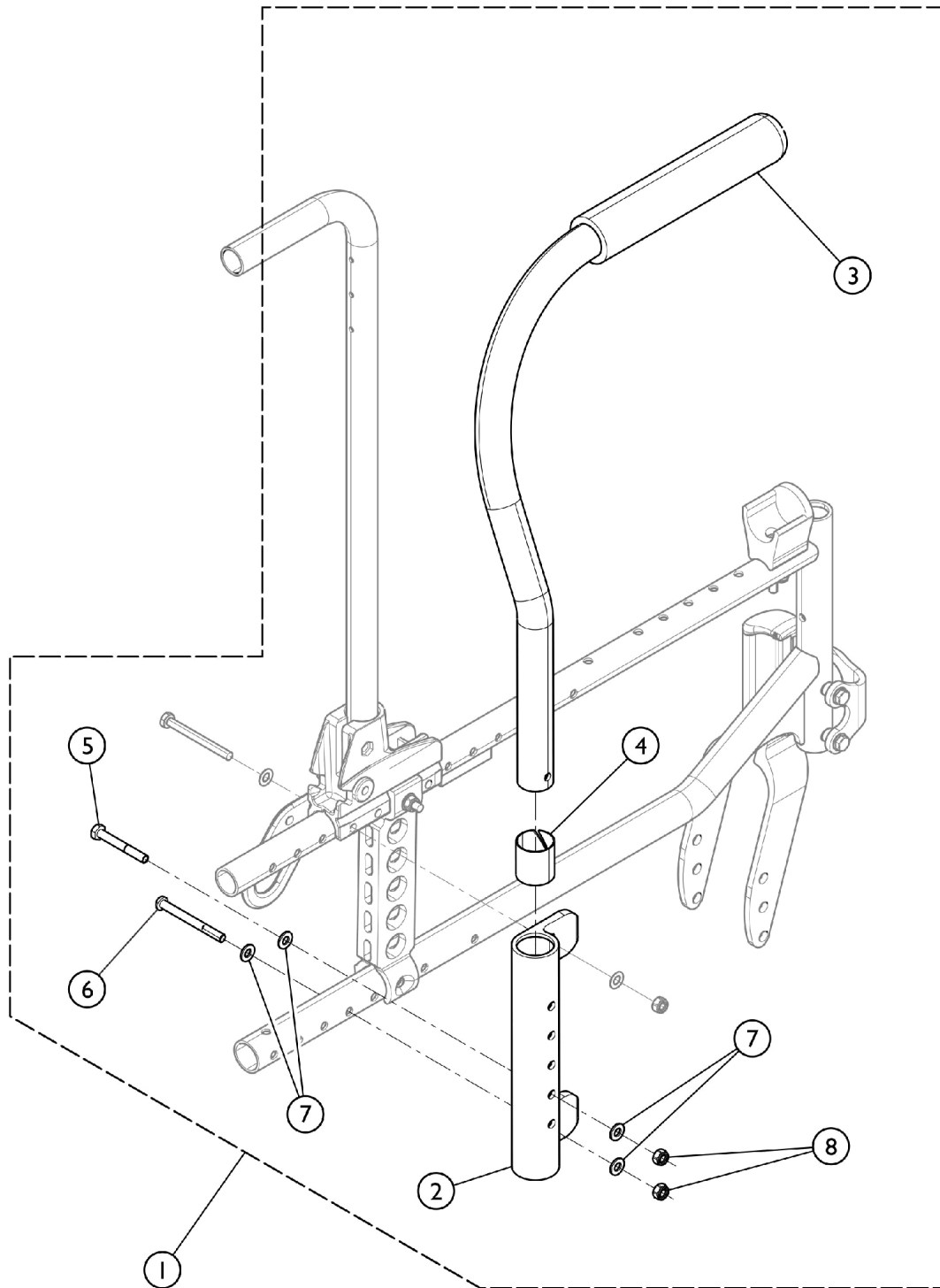


Arms - Swing Away - Rear Mount - Transport Brackets



SCM_203A

Arms - Swing Away - Rear Mount - Transport Brackets

| Item Number | Note | Part Number | Description | Quantity Per | |
|-------------|------|-------------|---|--------------|----------|
| | | | | Package | Assembly |
| 1 | A | 1173040 | Kit, Swingaway Arm Mounting w/ Hardware | 1 | 1 |
| 2 | | | Socket, Arm | 1 | 2 |
| 3 | | | Arm, Swing Away, Half, Padded - Right | 1 | 1 |
| 3 | | | Arm, Swing Away, Half, Padded - Left | 1 | 1 |
| 4 | | | Sleeve, Bearing | 1 | 2 |
| 5 | | | Bolt, Hex Head (M6 x 45mm) | 1 | 2 |
| 6 | | | Screw (M6 x 1 x 60mm) | 1 | 2 |
| 7 | | | NLA - Washer, Steel (1/4 x 1/2 x 3/64") | 1 | 8 |
| 8 | | | NLA - Locknut (M6 x 1) | 1 | 4 |

NOTE: A - Kit includes items 2 thru 8.