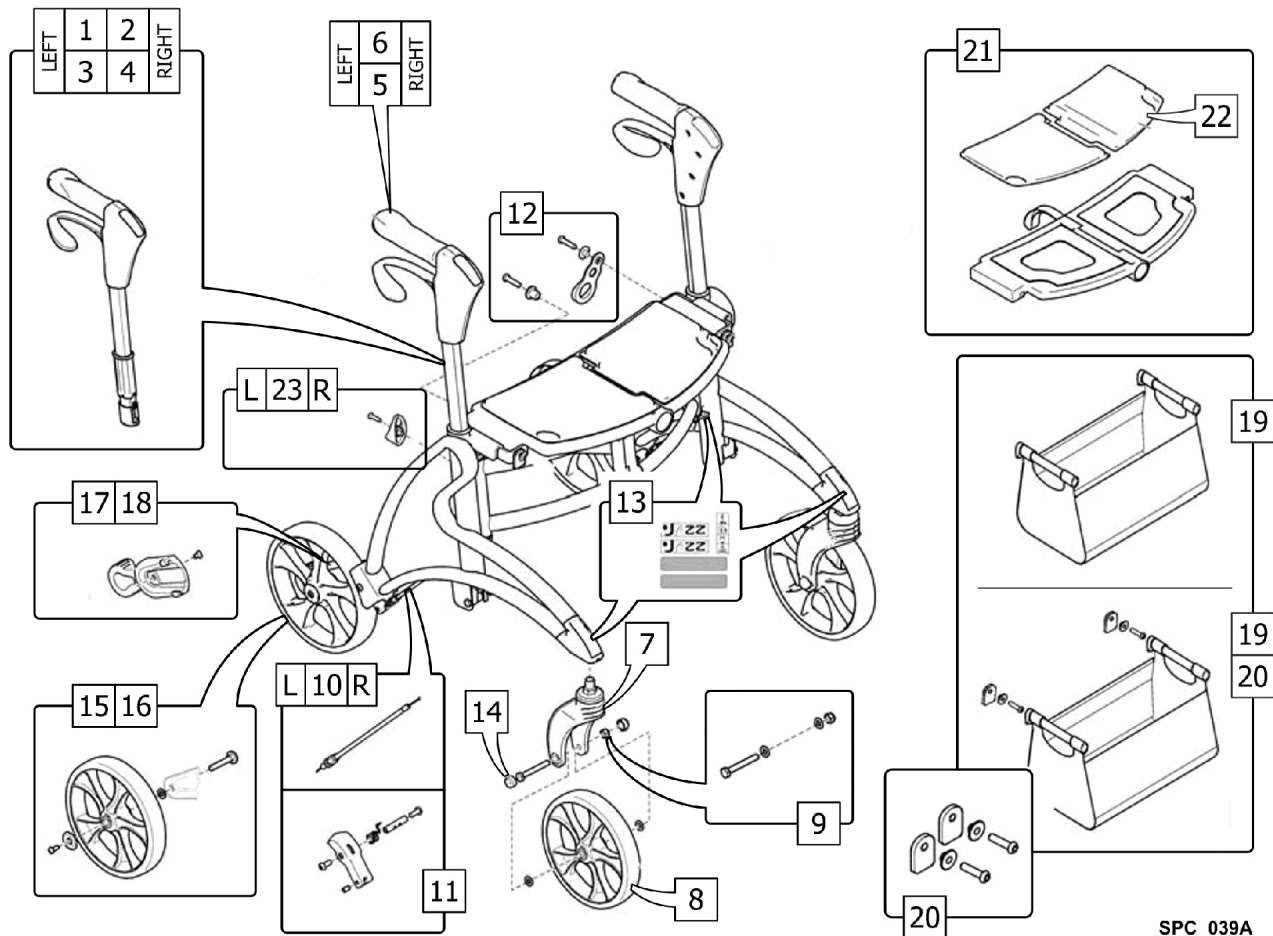


# Jazz Rollator (JAZZSTD/JAZZLOW) Service Parts (After S/N 13CHX000681)



SPC\_039A

## Jazz Rollator (JAZZSTD/JAZZLOW) Service Parts (After S/N 13CHX000681)

Item Number	Note	Part Number	Description	Quantity Per	
				Package	Assembly
1		1543723	Brake Handle Assembly (JAZZLOW) - Left	1	1
2		1543722	Brake Handle Assembly (JAZZLOW) - Right	1	1
3		1543725	Brake Handle Assembly (JAZZSTD) - Left	1	1
4		1543724	Brake Handle Assembly (JAZZSTD) - Right	1	1
5		1563282	Grip, Anatomic (Pair)	1	1
6		SP1581929	Grip, Soft (130mm) (Pair)	1	1
7		1553013	Front Fork, Complete	1	1
8		1551848	Wheel	1	1
9		1563204	Axle, Complete, Front Wheel	1	1
10		1563205	Wire and Cover	1	1
11		1563249	Brake Flap Assembly	1	1
12		1563206	Folding, Lock w/ Hardware	1	1
13		1563255	Kit, Label	1	1
14		1452282	Cap, Black, Plastic - Front Fork (20 pcs)	1	1
15		1563247	Rear Wheel w/ Hardware	1	1
16	A	SP1581927	Rear Wheel, Complete	1	1
17	B	SP1576558	Curb Climber	1	1
18	A	1563251	Curb Climber	1	1
19	C	SP1582945	Basket	1	1
20		FA1580881	Bracket, Rebuild, Complete	1	1
21		1542575	Seat, Rollator, Jazz	1	1
22		1563253	Pads, Seat	1	1
23		1563244	Handle Height Adjustment w/ Hardware	1	1
NOTE: A - Rollator manufactured after June, 2014. B - Rollator manufactured before June, 2014. C - Rollator manufactured after February, 2014.					