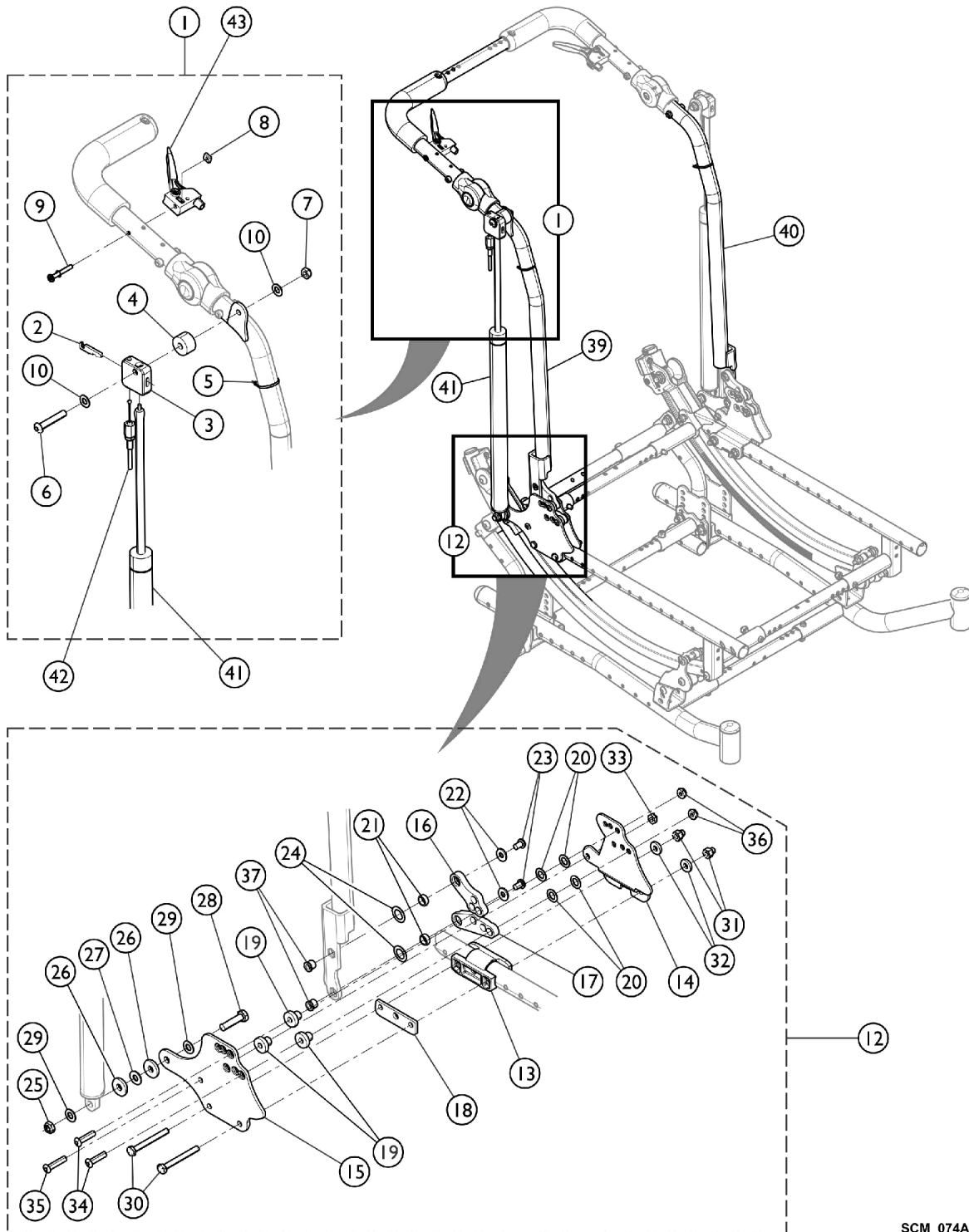


Reclining Back Hardware (LOSHEARWO) Option (After 8/20/15)

No Arms or One Point Arms (Except AT99N, AT55D, and AT55F)



Reclining Back Hardware (LOSHEARWO) Option (After 8/20/15) No Arms or One Point Arms (Except AT99N, AT55D, and AT55F)

Item Number	Note	Part Number	Description	Quantity Per		
				Package	Assembly	
1	A	1170571	Kit, Hardware, Cylinder Cable Release	1	1	
2			Lever, Cylinder Release	1	1	
3			Bracket, Cylinder Release, Black	1	1	
4			Bushing (5/16 x 1")	1	1	
5			Tie Wrap (3-29/32" L)	1	1	
6			Screw, Button Head, Socket, Cap (5/16-24 x 2-3/4")	1	1	
7			Locknut (5/16-24)	1	1	
8			Nut, Square (#10-32)	1	1	
9			Screw, Phillip Pan Head (10-32 x 1-3/8")	1	1	
10			Washer, Steel (21/64 x 5/8 x 3/64")	1	2	
12	B	1192512	Kit, Hardware, Reclining Back w/ One Point Arms - Right	1	1	
13			Universal Washer	1	1	
14			Plate, Outer - Right	1	1	
15			Plate, Inner - Right	1	1	
16			Link, Upper, Reclining Back - Right	1	1	
17			Link, Lower, Reclining Back - Right	1	1	
18			Plate, Spacer	1	1	
19			Bushing, Pivot	1	3	
20			Washer, Nylon (3/8 x 5/8 x 3/64)	1	4	
21			Bushing (3/8 x 1/2 x 3/16)	1	2	
22			NLA - Washer (1/4 x 5/8 x 1/16")	1	2	
23			Screw, Socket, Button (1/4-20 x 3/8")	1	2	
24			Washer (1/2 x 13/16 x 1/32")	1	2	
25			Locknut (5/16-18)	1	1	
26			Washer, Nylon (5/16 x 7/8 x 1/8")	1	2	
27			Washer, Nylon (5/16 x 11/16 x 1/16")	1	1	
28			Screw, Hex Head w/ Patch (5/16-18 x 1-1/4")	1	1	
29			Washer, Steel (21/64 x 5/8 x 3/64")	1	2	
30			Screw, Hex Head (1/4-28 x 2-1/4")	1	2	
31			Nut, Hex Nylon (1/4-28)	1	2	
32			Washer (1/4 x 5/8 x 3/32")	1	2	
33			Locknut (1/4-28)	1	1	
34			Screw, Button Head, Socket, Cap (1/4-28 x 1")	1	2	
35			Screw, Socket Button Head (1/4-28 x 1-1/8")	1	1	
36			Locknut, Thin (1/4-28)	1	2	
37			Nut, Barrel (1/4-20)	1	2	
12	B		1192513	Kit, Hardware, Reclining Back w/ One Point Arms - Left	1	1
13				Universal Washer	1	1
14		Plate, Inner - Left		1	1	
15		Plate, Outer - Left		1	1	
16		Link, Upper, Reclining Back - Left		1	1	
17		Link, Lower, Reclining Back - Left		1	1	
18		Plate, Spacer		1	1	

Reclining Back Hardware (LOSHEARWO) Option (After 8/20/15)

No Arms or One Point Arms (Except AT99N, AT55D, and AT55F)

Item Number	Note	Part Number	Description	Quantity Per	
				Package	Assembly
19			Bushing, Pivot	1	3
20			Washer, Nylon (3/8 x 5/8 x 3/64)	1	4
21			Bushing (3/8 x 1/2 x 3/16)	1	2
22			NLA - Washer (1/4 x 5/8 x 1/16")	1	2
23			Screw, Socket, Button (1/4-20 x 3/8")	1	2
24			Washer (1/2 x 13/16 x 1/32")	1	2
25			Locknut (5/16-18)	1	1
26			Washer, Nylon (5/16 x 7/8 x 1/8")	1	2
27			Washer, Nylon (5/16 x 11/16 x 1/16")	1	1
28			Screw, Hex Head w/ Patch (5/16-18 x 1-1/4")	1	1
29			Washer, Steel (21/64 x 5/8 x 3/64")	1	2
30			Screw, Hex Head (1/4-28 x 2-1/4")	1	2
31			Nut, Hex Nylon (1/4-28)	1	2
32			Washer (1/4 x 5/8 x 3/32")	1	2
33			Locknut (1/4-28)	1	1
34			Screw, Button Head, Socket, Cap (1/4-28 x 1")	1	2
35			Screw, Socket Button Head (1/4-28 x 1-1/8")	1	1
36			Locknut, Thin (1/4-28)	1	2
37			Nut, Barrel (1/4-20)	1	2
39	C	1190033-NLA	NLA - Cane, Back, Recliner, Black - Right	1	1
40	C	1190034-NLA	NLA - Cane, Back, Recliner, Black - Left	1	1
41		1190021	Cylinder, Gas, Recliner	1	2
42		1082638	Cable Release Assembly	1	2
43		1078318	Handle, Cable Release, Black	1	1

NOTE: A - Includes items 2 - 10.
 B - Includes items 13 - 37.
 C - Please use Retro-Fit Kit part number 1171136 to order replacement Back Canes. See "Recliner - Low Shear - Retro-fit w/o Upholstery" category for more information.