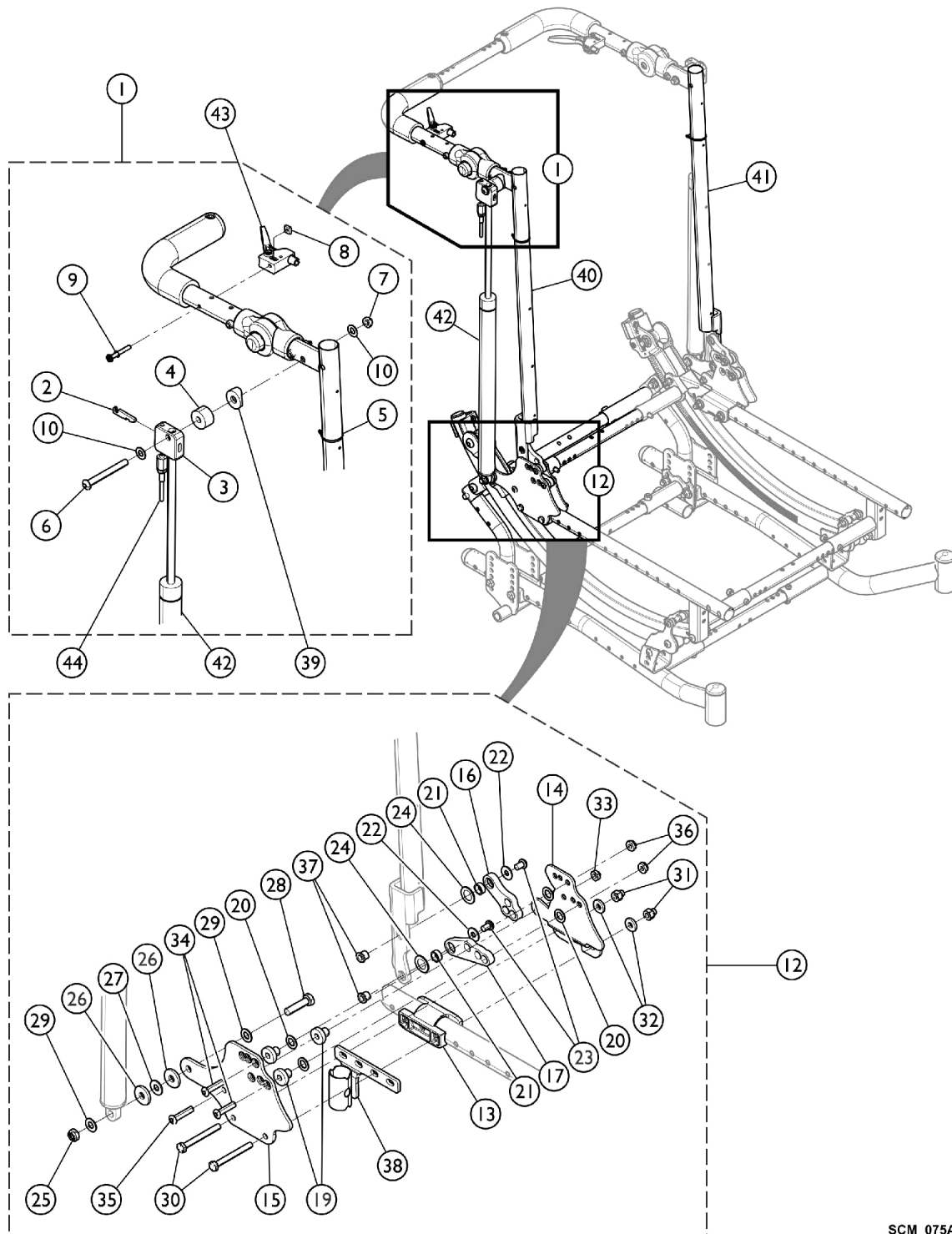


Reclining Back Hardware (LOSHEAR) Option (After 8/20/15)

Two Point Arms (Except FADJDESK and FADJFULL)

Manual Recliner uses "Stroller Handle - Adjustable Angle - Outside Mount (AASH), see this category for more information.



Reclining Back Hardware (LOSHEAR) Option (After 8/20/15)

Two Point Arms (Except FADJDESK and FADJFULL)

Manual Recliner uses "Stroller Handle - Adjustable Angle - Outside Mount (AASH),
see this category for more information.

Item Number	Note	Part Number	Description	Quantity Per	
				Package	Assembly
1	A	1170571	Kit, Hardware, Cylinder Cable Release	1	1
2			Lever, Cylinder Release	1	1
3			Bracket, Cylinder Release, Black	1	1
4			Bushing (5/16 x 1")	1	1
5			Tie Wrap (3-29/32" L)	1	1
6			Screw, Button Head, Socket, Cap (5/16-24 x 2-3/4")	1	1
7			Locknut (5/16-24)	1	1
8			Nut, Square (#10-32)	1	1
9			Screw, Phillip Pan Head (10-32 x 1-3/8")	1	1
10			Washer, Steel (21/64 x 5/8 x 3/64")	1	2
12	B	1192510	Kit, Hardware, Reclining Back w/ Two Point Arms - Right	1	1
13			Universal Washer	1	1
14			Plate, Outer - Right	1	1
15			Plate, Inner - Right	1	1
16			Link, Upper, Reclining Back - Right	1	1
17			Link, Lower, Reclining Back - Right	1	1
19			Bushing, Pivot	1	3
20			Washer, Nylon (3/8 x 5/8 x 3/64)	1	4
21			Bushing (3/8 x 1/2 x 3/16)	1	2
22			NLA - Washer (1/4 x 5/8 x 1/16")	1	2
23			Screw, Socket, Button (1/4-20 x 3/8")	1	2
24			Washer (1/2 x 13/16 x 1/32")	1	2
25			Locknut (5/16-18)	1	1
26			Washer, Nylon (5/16 x 7/8 x 1/8")	1	2
27			Washer, Nylon (5/16 x 11/16 x 1/16")	1	1
28			Screw, Hex Head w/ Patch (5/16-18 x 1-1/4")	1	1
29			Washer, Steel (21/64 x 5/8 x 3/64")	1	2
30			Screw, Hex Head (1/4-28 x 2-1/4")	1	2
31			Nut, Hex Nylon (1/4-28)	1	2
32			Washer (1/4 x 5/8 x 3/32")	1	2
33			Locknut (1/4-28)	1	1
34			Screw, Button Head, Socket, Cap (1/4-28 x 1")	1	2
35			Screw, Socket Button Head (1/4-28 x 1-1/8")	1	1
36			Locknut, Thin (1/4-28)	1	2
37			Nut, Barrel (1/4-20)	1	2
38			Arm Cup Assembly, Rear - Right	1	1
12	B	1192511	Kit, Hardware, Reclining Back w/ Two Point Arms - Left	1	1
13			Universal Washer	1	1
14			Plate, Inner - Left	1	1
15			Plate, Outer - Left	1	1
16			Link, Upper, Reclining Back - Left	1	1

Reclining Back Hardware (LOSHEAR) Option (After 8/20/15)

Two Point Arms (Except FADJDESK and FADJFULL)

Manual Recliner uses "Stroller Handle - Adjustable Angle - Outside Mount (AASH),
see this category for more information.

Item Number	Note	Part Number	Description	Quantity Per	
				Package	Assembly
17			Link, Lower, Reclining Back - Left	1	1
19			Bushing, Pivot	1	3
20			Washer, Nylon (3/8 x 5/8 x 3/64)	1	4
21			Bushing (3/8 x 1/2 x 3/16)	1	2
22			NLA - Washer (1/4 x 5/8 x 1/16")	1	2
23			Screw, Socket, Button (1/4-20 x 3/8")	1	2
24			Washer (1/2 x 13/16 x 1/32")	1	2
25			Locknut (5/16-18)	1	1
26			Washer, Nylon (5/16 x 7/8 x 1/8")	1	2
27			Washer, Nylon (5/16 x 11/16 x 1/16")	1	1
28			Screw, Hex Head w/ Patch (5/16-18 x 1-1/4")	1	1
29			Washer, Steel (21/64 x 5/8 x 3/64")	1	2
30			Screw, Hex Head (1/4-28 x 2-1/4")	1	2
31			Nut, Hex Nylon (1/4-28)	1	2
32			Washer (1/4 x 5/8 x 3/32")	1	2
33			Locknut (1/4-28)	1	1
34			Screw, Button Head, Socket, Cap (1/4-28 x 1")	1	2
35			Screw, Socket Button Head (1/4-28 x 1-1/8")	1	1
36			Locknut, Thin (1/4-28)	1	2
37			Nut, Barrel (1/4-20)	1	2
38			Arm Cup Assembly, Rear - Left	1	1
39		1071729	NLA - Spacer, Coved (3/8 x 1 x 9/16")	1	1
40	E	1189999-NLA	NLA - Cane, Back, Recliner w/ Upholstery, Black - Right	1	1
41	E	1190000-NLA	NLA - Cane, Back, Recliner w/ Upholstery, Black - Left	1	1
42		1190021	Cylinder, Gas, Recliner	1	2
43		1078318	Handle, Cable Release, Black	1	1
44		1082638	Cable Release Assembly	1	1
	C,D	1134425	Package, Plug Button, Black (1")	10	1
	D	1070998	Headrest Extension Tube Assembly, Black - Right	1	1
	D	1070999	Headrest Extension Tube Assembly, Black - Left	1	1

NOTE: A - Includes items 2 - 10.
 B - Includes items 13 - 38.
 C - Plug Buttons are not used when Headrest Extension Tubes are used.
 D - Not shown in illustration.
 E - No longer available, please see category "Recliner - LS - Retro-Fit w/ Upholstery for replacement kits."