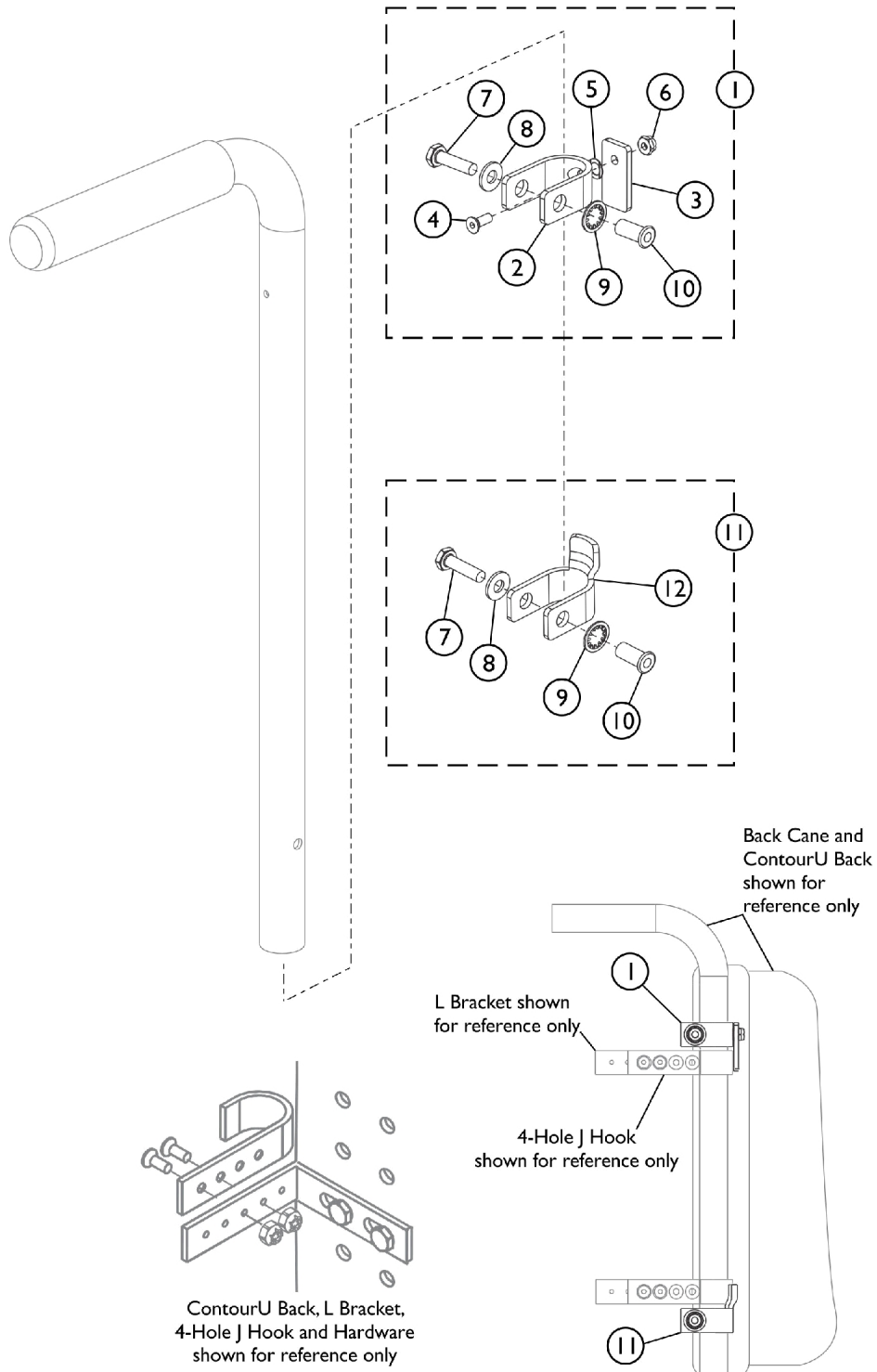


PinDot ContourU Back Adjustable J Hook Horseshoe Clip Hardware

For Round Back Canes (7/8") and (1")



PinDot ContourU Back Adjustable J Hook Horseshoe Clip Hardware

For Round Back Canes (7/8") and (1")

Item Number	Note	Part Number	Description	Quantity Per	
				Package	Assembly
1	A	1109122	Kit, Horseshoe Rotating Clip Assembly (7/8")	1	4
2			Clip, Horseshoe, Rotating, Black (7/8")	1	1
3			Plate, Black	1	1
4			NLA - Screw, Socket Flat Head (#10-32 x 1/2")	1	1
5			Washer, Wave (9/32 x 7/16 x 1/64")	1	1
6			Locknut (#10-32)	1	1
7			Screw, Hex Head (1/4-20 x 1")	1	1
8			NLA - Washer, Flat (1/4 x 5/8 x 1/16")	1	1
9			Washer, Lock Internal Tooth (25/64 x 11/16 x 1/32")	1	1
10			Rivnut (1/4-20 x 3/4")	1	1
1	A	1109123	Kit, Horseshoe Rotating Clip Assembly (1")	1	4
2			Clip, Horseshoe, Rotating, Black (1")	1	1
3			Plate, Black	1	1
4			NLA - Screw, Socket Flat Head (#10-32 x 1/2")	1	1
5			Washer, Wave (9/32 x 7/16 x 1/64")	1	1
6			Locknut (#10-32)	1	1
7			Screw, Hex Head (1/4-20 x 1")	1	1
8			NLA - Washer, Flat (1/4 x 5/8 x 1/16")	1	1
9			Washer, Lock Internal Tooth (25/64 x 11/16 x 1/32")	1	1
10			Rivnut (1/4-20 x 3/4")	1	1
11	B	1109120	Kit, Horseshoe Clip Assembly (7/8")	1	4
7			Screw, Hex Head (1/4-20 x 1")	1	1
8			NLA - Washer, Flat (1/4 x 5/8 x 1/16")	1	1
9			Washer, Lock Internal Tooth (25/64 x 11/16 x 1/32")	1	1
10			Rivnut (1/4-20 x 3/4")	1	1
12			Clip, Horseshoe, Black (7/8")	1	1
11	B	1109121	Kit, Horseshoe Clip Assembly (1")	1	4
7			Screw, Hex Head (1/4-20 x 1")	1	1
8			NLA - Washer, Flat (1/4 x 5/8 x 1/16")	1	1
9			Washer, Lock Internal Tooth (25/64 x 11/16 x 1/32")	1	1
10			Rivnut (1/4-20 x 3/4")	1	1
12			Clip, Horseshoe, Black (1")	1	1

NOTE: A - Includes items 2-10.
 B - Includes items 7-10 and 12.