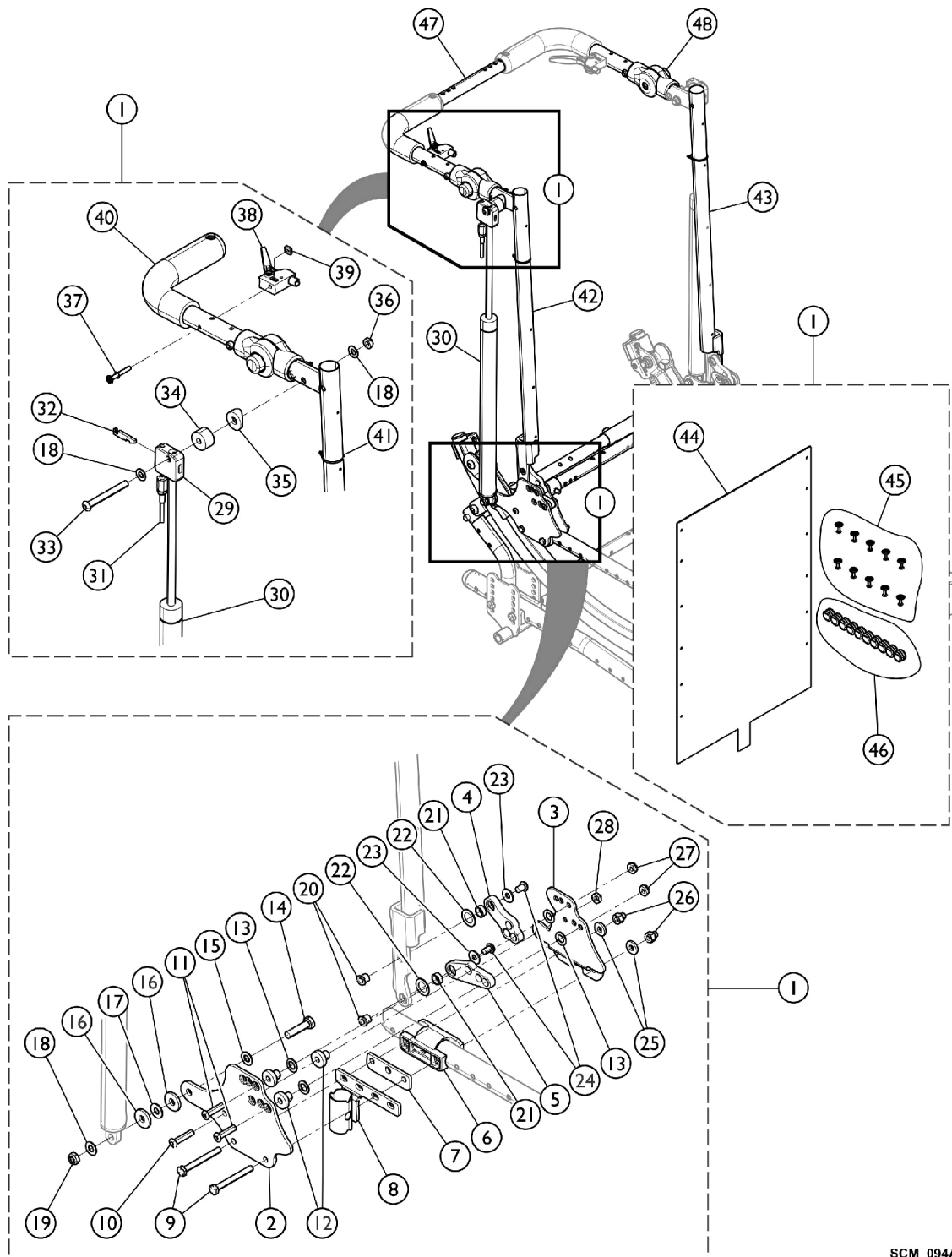


Recliner - LS - Retro-Fit Kit w/ Upholstery (14 - 17" W)



SCM_094A

Recliner - LS - Retro-Fit Kit w/ Upholstery (14 - 17" W)

Item Number	Note	Part Number	Description	Quantity Per	
				Package	Assembly
1	A	1171137	Kit, Retro-Fit, Low Shear Recliner w/ Upholstery (14" W)	1	1
2			Plate, Outer - Right	1	1
2			Plate, Outer - Left	1	1
3			Plate, Inner - Right	1	1
3			Plate, Inner - Left	1	1
4			Link, Upper, Reclining Back - Right	1	1
4			Link, Upper, Reclining Back - Left	1	1
5			Link, Lower, Reclining Back - Right	1	1
5			Link, Lower, Reclining Back - Left	1	1
6			Universal Washer	1	1
7			Plate, Spacer	1	2
8			Arm Cup Assembly, Rear - Right	1	1
8			Arm Cup Assembly, Rear - Left	1	1
9			Screw, Hex Head (1/4-28 x 2-1/4")	1	4
10			Screw, Socket Button Head (1/4-28 x 1-1/8")	1	2
11			Screw, Button Head, Socket, Cap (1/4-28 x 1")	1	4
12			Bushing, Pivot	1	6
13			Washer, Nylon (3/8 x 5/8 x 3/64)	1	8
14			Screw, Hex Head w/ Patch (5/16-18 x 1-1/4")	1	2
15			Washer, Steel (21/64 x 5/8 x 3/64")	1	8
16			Washer, Nylon (5/16 x 7/8 x 1/8")	1	4
17			Screw, Socket Flat Head (1/4-24 x 7/8")	1	2
19			Locknut (5/16-18)	1	2
20			Nut, Barrel (1/4-20)	1	4
21			Bushing (3/8 x 1/2 x 3/16)	1	4
22			Washer (1/2 x 13/16 x 1/32")	1	4
23			NLA - Washer (1/4 x 5/8 x 1/16")	1	4
24			Screw, Socket, Button (1/4-20 x 3/8")	1	4
25			Washer (1/4 x 5/8 x 3/32")	1	4
26			Nut, Hex Nylon (1/4-28)	1	4
27			Locknut, Thin (1/4-28)	1	4
28			Locknut (1/4-28)	1	2
29			Bracket, Cylinder Release, Black	1	2
30			Cylinder, Gas, Recliner	1	2
31			Cable Release Assembly	1	2
32			Lever, Cylinder Release	1	2
33			Screw, Button Head, Socket, Cap (5/16-24 x 2-3/4")	1	2
34			Bushing (5/16 x 1")	1	2
35			NLA - Spacer, Coved (3/8 x 1 x 9/16")	1	2
36			Locknut (5/16-24)	1	2
37			Screw, Phillip Pan Head (10-32 x 1-3/8")	1	2
38			Handle, Cable Release, Black	1	2
39			Nut, Square (#10-32)	1	2
40			Stroller Handle Assembly - Right/Left	1	2
41			Tie Wrap (3-29/32" L)	1	2

Recliner - LS - Retro-Fit Kit w/ Upholstery (14 - 17" W)

Item Number	Note	Part Number	Description	Quantity Per	
				Package	Assembly
42			NLA - Cane, Back, Recliner w/ Upholstery, Black - Right	1	1
43			NLA - Cane, Back, Recliner w/ Upholstery, Black - Left	1	1
44			Upholstery, Back, Recliner, U240 (14" W x 24" H)	1	1
45			Package, Back Upholstery Screws w/ Washers (#10 x 7/8")	1	1
46			Package, Plug Button, Black (1")	1	1
			Instruction Sheet, Recliner Installation	1	1
1	A	1171138	Kit, Retro-Fit, Low Shear Recliner w/ Upholstery (15" W)	1	1
2			Plate, Outer - Right	1	1
2			Plate, Outer - Left	1	1
3			Plate, Inner - Right	1	1
3			Plate, Inner - Left	1	1
4			Link, Upper, Reclining Back - Right	1	1
4			Link, Upper, Reclining Back - Left	1	1
5			Link, Lower, Reclining Back - Right	1	1
5			Link, Lower, Reclining Back - Left	1	1
6			Universal Washer	1	1
7			Plate, Spacer	1	2
8			Arm Cup Assembly, Rear - Right	1	1
8			Arm Cup Assembly, Rear - Left	1	1
9			Screw, Hex Head (1/4-28 x 2-1/4")	1	4
10			Screw, Socket Button Head (1/4-28 x 1-1/8")	1	2
11			Screw, Button Head, Socket, Cap (1/4-28 x 1")	1	4
12			Bushing, Pivot	1	6
13			Washer, Nylon (3/8 x 5/8 x 3/64)	1	8
14			Screw, Hex Head w/ Patch (5/16-18 x 1-1/4")	1	2
15			Washer, Steel (21/64 x 5/8 x 3/64")	1	8
16			Washer, Nylon (5/16 x 7/8 x 1/8")	1	4
17			Screw, Socket Flat Head (1/4-24 x 7/8")	1	2
19			Locknut (5/16-18)	1	2
20			Nut, Barrel (1/4-20)	1	4
21			Bushing (3/8 x 1/2 x 3/16)	1	4
22			Washer (1/2 x 13/16 x 1/32")	1	4
23			NLA - Washer (1/4 x 5/8 x 1/16")	1	4
24			Screw, Socket, Button (1/4-20 x 3/8")	1	4
25			Washer (1/4 x 5/8 x 3/32")	1	4
26			Nut, Hex Nylon (1/4-28)	1	4
27			Locknut, Thin (1/4-28)	1	4
28			Locknut (1/4-28)	1	2
29			Bracket, Cylinder Release, Black	1	2
30			Cylinder, Gas, Recliner	1	2
31			Cable Release Assembly	1	2
32			Lever, Cylinder Release	1	2
33			Screw, Button Head, Socket, Cap (5/16-24 x 2-3/4")	1	2
34			Bushing (5/16 x 1")	1	2

Recliner - LS - Retro-Fit Kit w/ Upholstery (14 - 17" W)

Item Number	Note	Part Number	Description	Quantity Per	
				Package	Assembly
35			NLA - Spacer, Coved (3/8 x 1 x 9/16")	1	2
36			Locknut (5/16-24)	1	2
37			Screw, Phillip Pan Head (10-32 x 1-3/8")	1	2
38			Handle, Cable Release, Black	1	2
39			Nut, Square (#10-32)	1	2
40			Stroller Handle Assembly - Right/Left	1	2
41			Tie Wrap (3-29/32" L)	1	2
42			NLA - Cane, Back, Recliner w/ Upholstery, Black - Right	1	1
43			NLA - Cane, Back, Recliner w/ Upholstery, Black - Left	1	1
44			Upholstery, Back, Recliner, U240 (15" W x 24" H)	1	1
45			Package, Back Upholstery Screws w/ Washers (#10 x 7/8")	1	1
46			Package, Plug Button, Black (1")	1	1
			Instruction Sheet, Recliner Installation	1	1
1	A	1171139	Kit, Retro-Fit, Low Shear Recliner w/ Upholstery (16" W)	1	1
2			Plate, Outer - Right	1	1
2			Plate, Outer - Left	1	1
3			Plate, Inner - Right	1	1
3			Plate, Inner - Left	1	1
4			Link, Upper, Reclining Back - Right	1	1
4			Link, Upper, Reclining Back - Left	1	1
5			Link, Lower, Reclining Back - Right	1	1
5			Link, Lower, Reclining Back - Left	1	1
6			Universal Washer	1	1
7			Plate, Spacer	1	2
8			Arm Cup Assembly, Rear - Right	1	1
8			Arm Cup Assembly, Rear - Left	1	1
9			Screw, Hex Head (1/4-28 x 2-1/4")	1	4
10			Screw, Socket Button Head (1/4-28 x 1-1/8")	1	2
11			Screw, Button Head, Socket, Cap (1/4-28 x 1")	1	4
12			Bushing, Pivot	1	6
13			Washer, Nylon (3/8 x 5/8 x 3/64)	1	8
14			Screw, Hex Head w/ Patch (5/16-18 x 1-1/4")	1	2
15			Washer, Steel (21/64 x 5/8 x 3/64")	1	8
16			Washer, Nylon (5/16 x 7/8 x 1/8")	1	4
17			Screw, Socket Flat Head (1/4-24 x 7/8")	1	2
19			Locknut (5/16-18)	1	2
20			Nut, Barrel (1/4-20)	1	4
21			Bushing (3/8 x 1/2 x 3/16)	1	4
22			Washer (1/2 x 13/16 x 1/32")	1	4
23			NLA - Washer (1/4 x 5/8 x 1/16")	1	4
24			Screw, Socket, Button (1/4-20 x 3/8")	1	4
25			Washer (1/4 x 5/8 x 3/32")	1	4
26			Nut, Hex Nylon (1/4-28)	1	4
27			Locknut, Thin (1/4-28)	1	4

Recliner - LS - Retro-Fit Kit w/ Upholstery (14 - 17" W)

Item Number	Note	Part Number	Description	Quantity Per	
				Package	Assembly
28			Locknut (1/4-28)	1	2
29			Bracket, Cylinder Release, Black	1	2
30			Cylinder, Gas, Recliner	1	2
31			Cable Release Assembly	1	2
32			Lever, Cylinder Release	1	2
33			Screw, Button Head, Socket, Cap (5/16-24 x 2-3/4")	1	2
34			Bushing (5/16 x 1")	1	2
35			NLA - Spacer, Coved (3/8 x 1 x 9/16")	1	2
36			Locknut (5/16-24)	1	2
37			Screw, Phillip Pan Head (10-32 x 1-3/8")	1	2
38			Handle, Cable Release, Black	1	2
39			Nut, Square (#10-32)	1	2
40			Stroller Handle Assembly - Right/Left	1	2
41			Tie Wrap (3-29/32" L)	1	2
42			NLA - Cane, Back, Recliner w/ Upholstery, Black - Right	1	1
43			NLA - Cane, Back, Recliner w/ Upholstery, Black - Left	1	1
44			Upholstery, Back, Recliner, U240 (16" W x 24" H)	1	1
45			Package, Back Upholstery Screws w/ Washers (#10 x 7/8")	1	1
46			Package, Plug Button, Black (1")	1	1
			Instruction Sheet, Recliner Installation	1	1
1	A	1171140	Kit, Retro-Fit, Low Shear Recliner w/ Upholstery (17" W)	1	1
2			Plate, Outer - Right	1	1
2			Plate, Outer - Left	1	1
3			Plate, Inner - Right	1	1
3			Plate, Inner - Left	1	1
4			Link, Upper, Reclining Back - Right	1	1
4			Link, Upper, Reclining Back - Left	1	1
5			Link, Lower, Reclining Back - Right	1	1
5			Link, Lower, Reclining Back - Left	1	1
6			Universal Washer	1	2
7			Plate, Spacer	1	2
8			Arm Cup Assembly, Rear - Right	1	1
8			Arm Cup Assembly, Rear - Left	1	1
9			Screw, Hex Head (1/4-28 x 2-1/4")	1	4
10			Screw, Socket Button Head (1/4-28 x 1-1/8")	1	2
11			Screw, Button Head, Socket, Cap (1/4-28 x 1")	1	4
12			Bushing, Pivot	1	6
13			Washer, Nylon (3/8 x 5/8 x 3/64)	1	8
14			Screw, Hex Head w/ Patch (5/16-18 x 1-1/4")	1	2
15			Washer, Steel (21/64 x 5/8 x 3/64")	1	8
16			Washer, Nylon (5/16 x 7/8 x 1/8")	1	4
17			Screw, Socket Flat Head (1/4-24 x 7/8")	1	2
19			Locknut (5/16-18)	1	2
20			Nut, Barrel (1/4-20)	1	4

Recliner - LS - Retro-Fit Kit w/ Upholstery (14 - 17" W)

Item Number	Note	Part Number	Description	Quantity Per	
				Package	Assembly
21			Bushing (3/8 x 1/2 x 3/16)	1	4
22			Washer (1/2 x 13/16 x 1/32")	1	4
23			NLA - Washer (1/4 x 5/8 x 1/16")	1	4
24			Screw, Socket, Button (1/4-20 x 3/8")	1	4
25			Washer (1/4 x 5/8 x 3/32")	1	4
26			Nut, Hex Nylon (1/4-28)	1	4
27			Locknut, Thin (1/4-28)	1	4
28			Locknut (1/4-28)	1	2
29			Bracket, Cylinder Release, Black	1	2
30			Cylinder, Gas, Recliner	1	2
31			Cable Release Assembly	1	2
32			Lever, Cylinder Release	1	2
33			Screw, Button Head, Socket, Cap (5/16-24 x 2-3/4")	1	2
34			Bushing (5/16 x 1")	1	2
35			NLA - Spacer, Coved (3/8 x 1 x 9/16")	1	2
36			Locknut (5/16-24)	1	2
37			Screw, Phillip Pan Head (10-32 x 1-3/8")	1	2
38			Handle, Cable Release, Black	1	2
39			Nut, Square (#10-32)	1	2
40			Stroller Handle Assembly - Right/Left	1	2
41			Tie Wrap (3-29/32" L)	1	2
42			NLA - Cane, Back, Recliner w/ Upholstery, Black - Right	1	1
43			NLA - Cane, Back, Recliner w/ Upholstery, Black - Left	1	1
44			Upholstery, Back, Recliner, U240 (17" W x 24" H)	1	1
45			Package, Back Upholstery Screws w/ Washers (#10 x 7/8")	1	1
46			Package, Plug Button, Black (1")	1	1
			Instruction Sheet, Recliner Installation	1	1
47		See Chart	#47 Crossbrace Tube	1	1
48	B	1134190	Kit, Stroller Handle, Adjustable Angle - Outside Mount	1	1
			Screw, Socket Button Head (1/4-28 x 1-1/4")	1	2
			Gear, Stroller Handle	1	2
			Screw, Socket Head (1/4-28 x 1-1/4")	1	2
			Screw, Socket Head (1/4-28 x 1-1/4")	1	2
			Locknut (1/4-28)	1	2
			Locknut (1/4-28)	1	4

NOTE: A - Kit includes items 2 - 17, and 19 - 46.
 B - Includes Gear, Screws, and Nuts.

#47 Crossbrace Tube

12-16" Wide Tube	14-18" Wide Tube	16-20" Wide Tube	18-22" Wide Tube	20-24" Wide Tube
1129473	1129474	1129475	1129476	1159455

Recliner - LS - Retro-Fit Kit w/ Upholstery (14 - 17" W)
