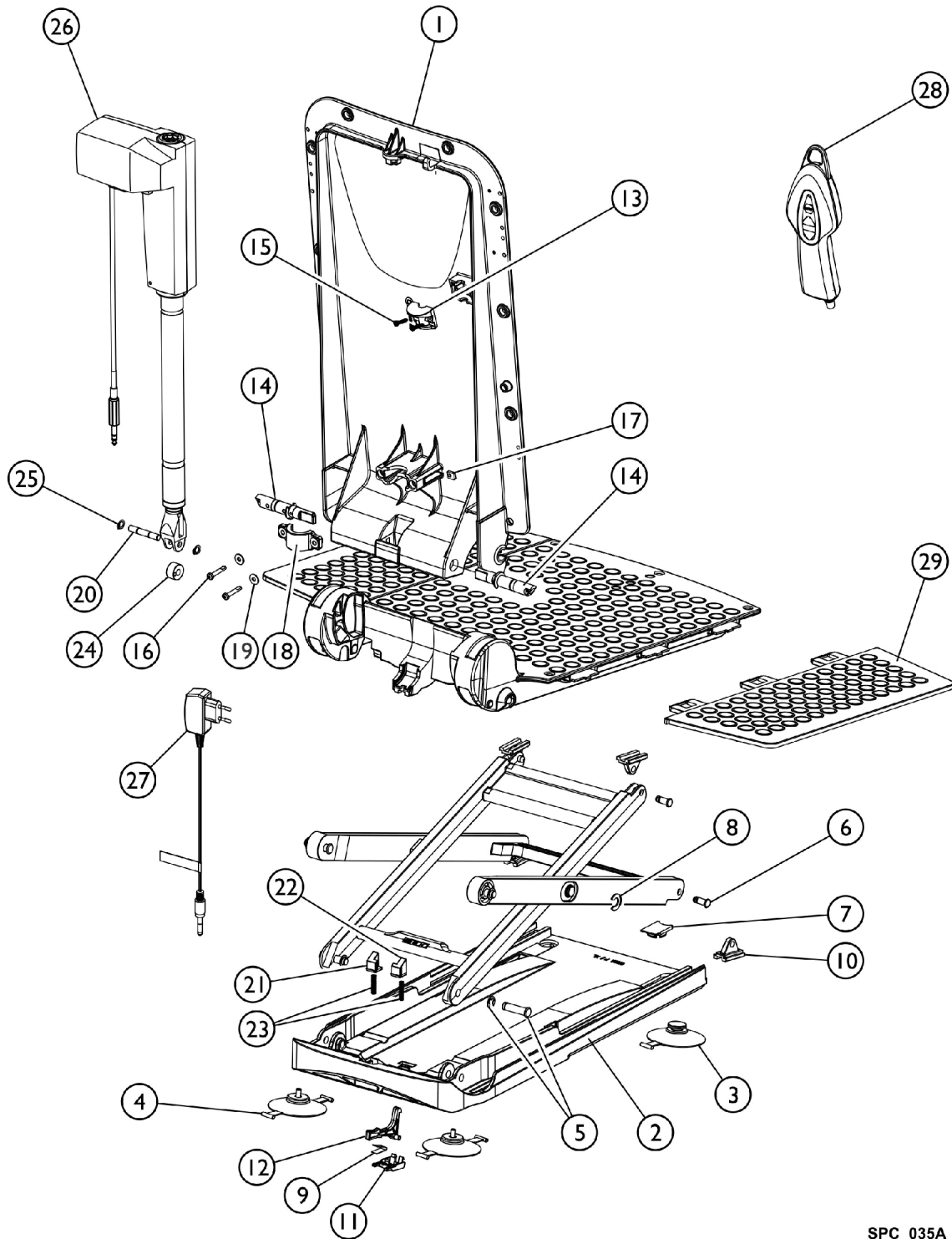


Orca XL Bath Lift (from May 2015)



SPC_035A

Orca XL Bath Lift (from May 2015)

Item Number	Note	Part Number	Description	Quantity Per	
				Package	Assembly
1		1563010	Frame, Backrest, Orca (Lifts built after May 2015)	1	--
2		1471054	Base Plate	1	--
		15353	Cups, Suction, Screw-In and Toggle (Set) (8 cm)	1	--
3		15072-NLA	Cups, Suction with Toggle (Pair)	1	--
4		15071	Cups, Suction, Screw-in (Pair)	1	--
5		1471088	Bolt, Steel	1	--
5		1471089	Washer, Thrust for Steel Bolt	1	--
6		15105	Bolt for Gliding Shoe	1	--
7		15121	Cap for Suction Cup	1	--
8		15344	Washer, Securing	1	--
9		15415	Spring	1	--
10		16446	Shoe, Gliding	1	--
11		16448	Latch, Bushing	1	--
12		16449	Latch	1	--
13		16455	Holding Device (Excluding Screws)	1	--
14		1470579	Bolt, Right	1	--
14		1470580	Bolt, Left	1	--
15		15348	Screws, Phone Jack (40 x 22)	1	--
16		16781	Lens Head Screw DIN 7985, M5 x 30	1	--
17		16779	Nut for Actuator Fastening	1	--
18		16778	Clamp, Pipe, Actuator Fastening	1	--
19		16780	Washer A2 DIN 9021	1	--
20		16793	Axle	1	--
21		16791	Locking - Left	1	--
22		16792	Locking - Right	1	--
23		16794	Pressure Spring for Locking	1	--
24		16450	Pulley	1	--
25		16456	Ring, Retaining, A2	1	--
26		1471062	Actuator, Aquatec XL	1	--
27		16580	Charger, Battery	1	--
28		1470902	Hand Control, Complete	1	--
29		15892	Flap, Side with Film Hinge	1	--
		1470576	Cover Set, Seat and Backrest, White	1	--
		1470767	Cover Set, Seat and Backrest, Blue	1	--
		16606	Cover, Seat, White	1	--
		1470765	Cover, Seat, Blue	1	--
		16604	Cover, Backrest, White	1	--
		1470766	Cover, Backrest, Blue	1	--