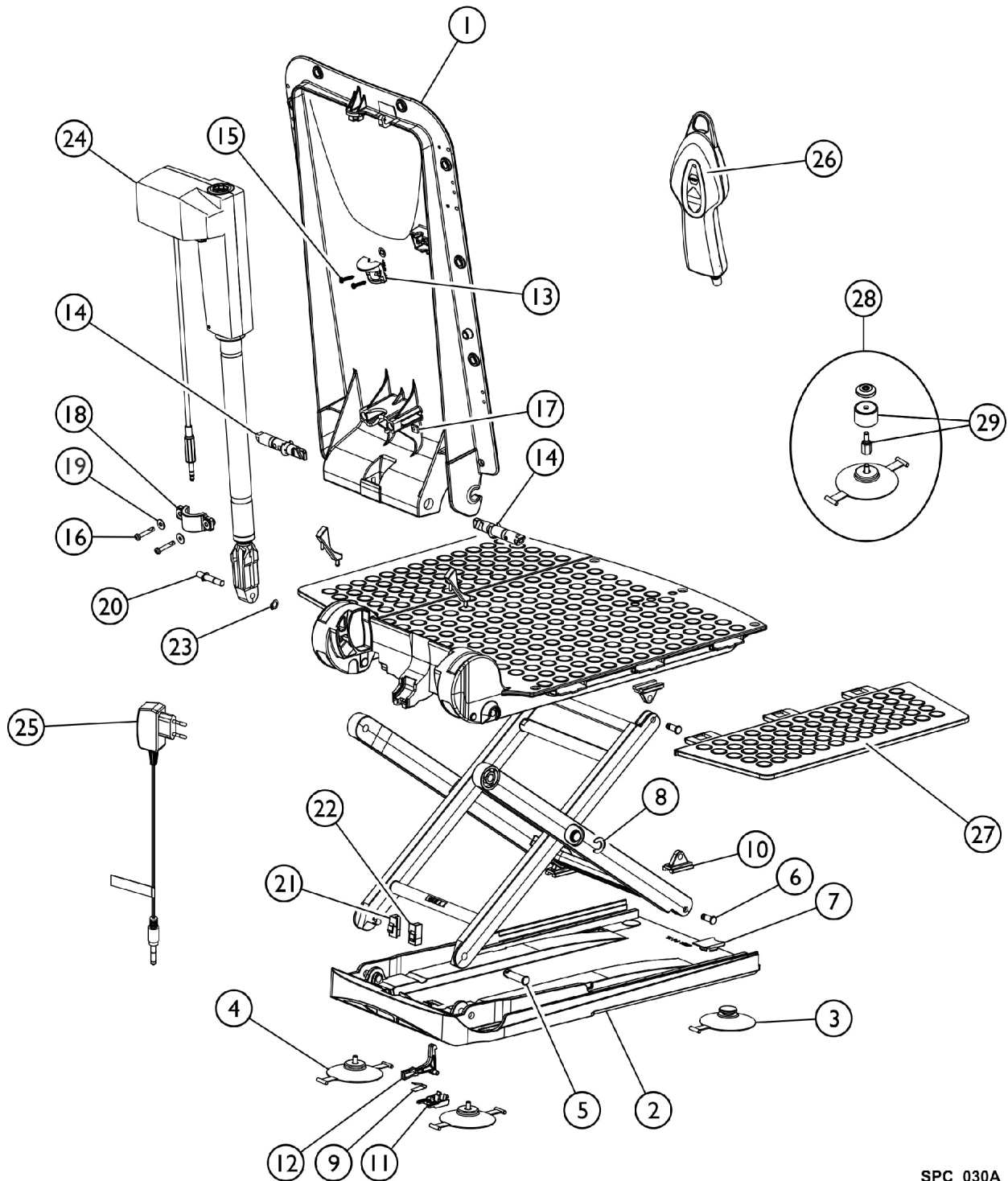


# Orca F Bathlift (from June 2015)



SPC\_030A

## Orca F Bathlift (from June 2015)

Item Number	Note	Part Number	Description	Quantity Per	
				Package	Assembly
1		16440	Backrest, Frame	1	--
2		1471054	Base Plate	1	--
3		15072-NLA	Cups, Suction with Toggle (Pair)	1	--
4		15071	Cups, Suction, Screw-in (Pair)	1	--
		15353	Cups, Suction, Screw-In and Toggle (Set) (8 cm)	1	--
		16240AQT	Suction Cup, Black (130mm) (Pkg. of 4)	1	--
5		16679	Bolt (10mm)	1	--
6		15105	Bolt for Gliding Shoe	1	--
7		15121	Cap for Suction Cup	1	--
8		15344	Washer, Securing	1	--
9		15415	Spring	1	--
10		16446	Shoe, Gliding	1	--
11		16448	Latch, Bushing	1	--
12		16449	Latch	1	--
13		16455	Holding Device (Excluding Screws)	1	--
14		1471058	Bolt, Right	1	--
15		15348	Screws, Phone Jack (40 x 22)	1	--
16		16781	Lens Head Screw DIN 7985, M5 x 30	1	--
17		16779	Nut for Actuator Fastening	1	--
18		16778	Clamp, Pipe, Actuator Fastening	1	--
19		16780	Washer A2 DIN 9021	1	--
20		16793	Axle	1	--
21		1471057	Locking Pin, Left	1	--
22		1471056	Locking Pin, Right	1	--
23		16456	Ring, Retaining, A2	1	--
24		1471060	Actuator, Aquatec F	1	--
25		16580	Charger, Battery	1	--
26		1470902	Hand Control, Complete	1	--
27		15892	Flap, Side with Film Hinge	1	--
28		15170	Kit, Conversion Height Adapter (2 cm)	1	--
29		14694	Adapters, Height (Set)	1	--
		15298	Kit, Conversion without Height Adapters	1	--
		16804	Scissors, Lifting	1	--
	A	1581058	Backrest and Seat Plate Replacement	1	--

NOTE: A - For lifts produced before May 2015.