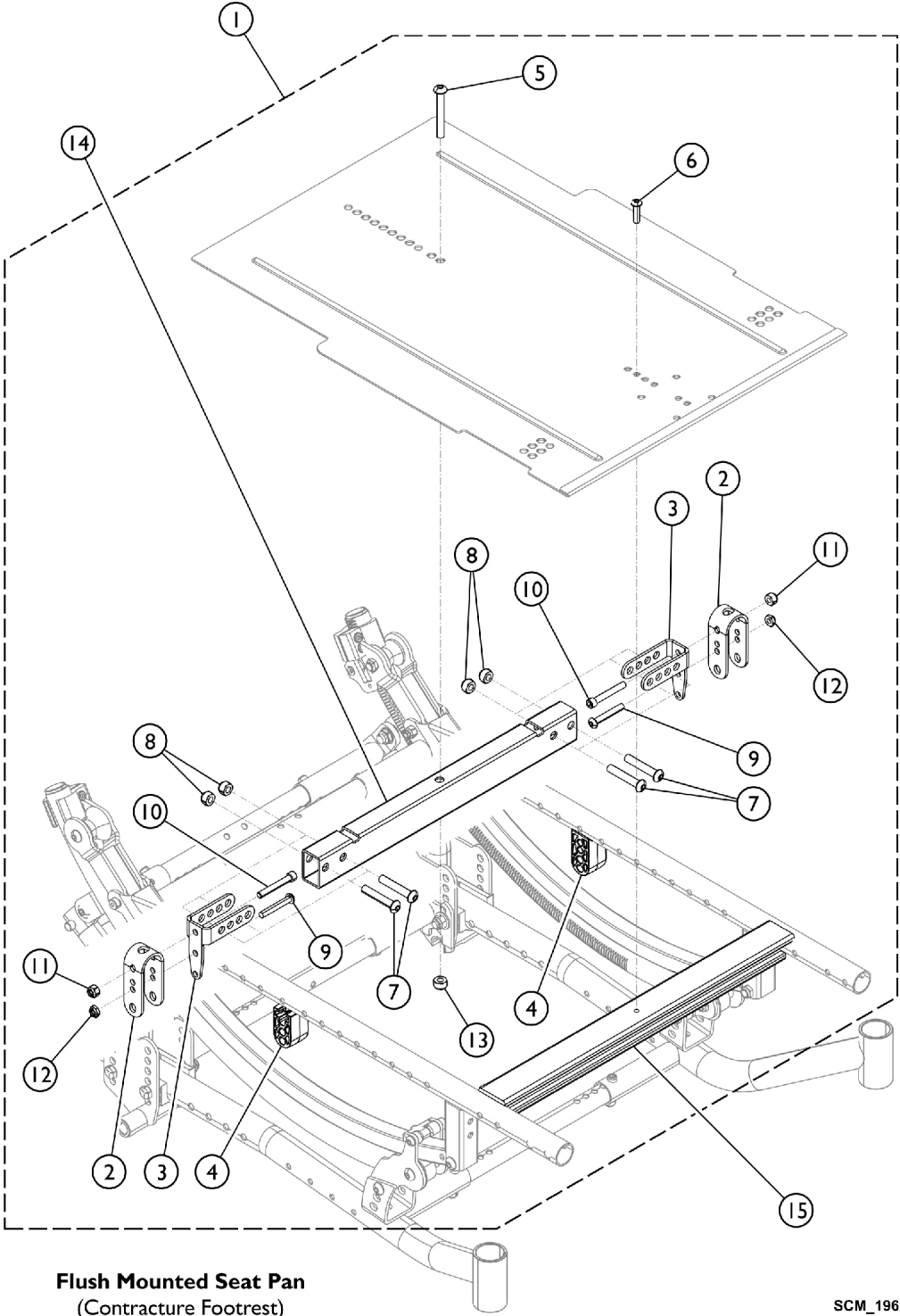


Seat Pan Mtg. Hdwr. - Bi-Lateral Contracture (12 - 22" D)



Flush Mounted Seat Pan
(Contracture Footrest)

SCM_196A

Seat Pan Mtg. Hdwr. - Bi-Lateral Contracture (12 - 22" D)

Item Number	Note	Part Number	Description	Quantity Per	
				Package	Assembly
1	A	1166086	Kit, Seat Pan Mounting Hardware, Flush Bi-Lateral Contracture (12" - 24")	1	1
2			Bracket, Seat Pan	1	2
3			Bracket, Seat Pan, Adjustable	1	2
4			Spacer, Block, Black	1	2
5			Screw, Button Head, Socket (5/16-18 x 2-1/4")	1	1
6			Screw, Socket Button Head (1/4-20 x 7/8")	1	1
7			Screw, Socket Button Head (5/16-24 x 1-3/4")	1	4
8			Locknut (5/16-24)	1	4
9			Screw, Socket Button Head (1/4-20 x 1-5/8")	1	2
10			Screw, Socket Head (1/4-20 x 1-3/4")	1	2
11			Locknut (1/4-20)	1	2
12			Locknut, Thin (1/4-20)	1	2
13			Locknut (5/16-18)	1	1
14		See Chart	#14. Seat Pan Rear Crossbrace Tube	1	1
15		See Chart	#15. Contracture Crossbrace Tube	1	1

NOTE: A - Kit includes items 2 - 13.

#14. Seat Pan Rear Crossbrace Tube

Seat Mounting Type	Seat Frame Width	Part Number
Flush Mounted	12" - 13"	1165779
Flush Mounted	14" - 15"	1165780
Flush Mounted	16" - 17"	1165781
Flush Mounted	18" - 19"	1165782
Flush Mounted	20" - 21"	1165783
Flush Mounted	22" - 23"	1165784
Flush Mounted	24"	1165785

#15. Contracture Crossbrace Tube

Seat Frame Width	Part Number	Seat Frame Width	Part Number	Seat Frame Width	Part Number
12"	1163810	16"	1163814	20"	1163817
13"	1163811	17"	1163815	21"	1163818
14"	1163812	18"	1163436	22"	1163819
15"	1163813	19"	1163816		