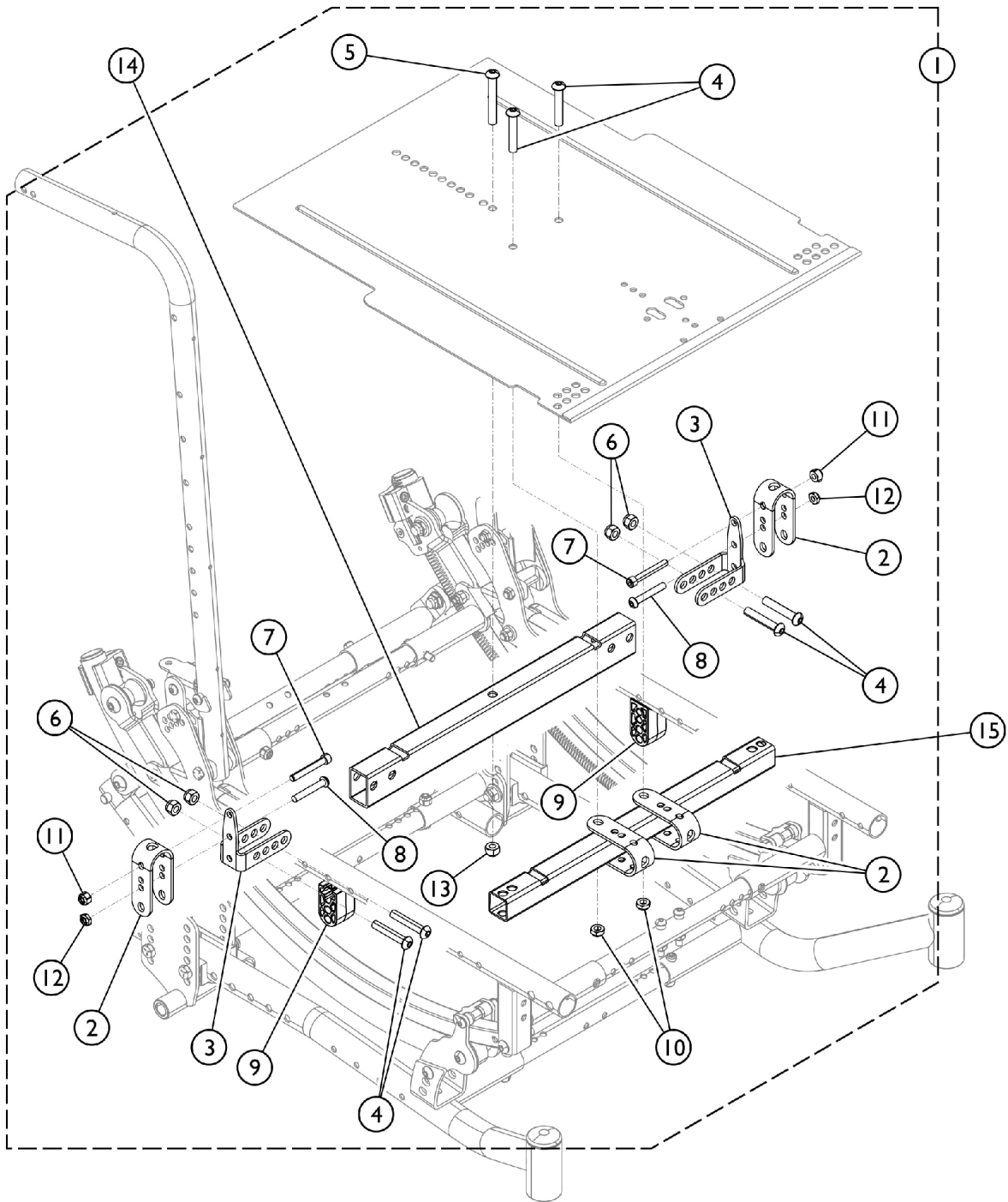


Seat Pan Hdwr, Drop Mount - HD (12 - 19" D)



Drop Mount - Heavy Duty Frame

SCM_190A

Seat Pan Hdwr, Drop Mount - HD (12 - 19" D)

Item Number	Note	Part Number	Description	Quantity Per	
				Package	Assembly
1	A	1190142	Kit, Hardware, Seat Pan, Heavy Duty (12-19" D)	1	1
2			Bracket, Seat Pan	1	4
3			Bracket, Seat Pan, Adjustable	1	2
4			Screw, Socket Button Head (5/16-24 x 1-3/4")	1	6
5			Screw, Button Head, Socket (5/16-18 x 2-1/4")	1	1
6			Locknut (5/16-24)	1	4
7			Screw, Socket Head (1/4-20 x 1-3/4")	1	2
8			Screw, Socket Button Head (1/4-20 x 1-5/8")	1	2
9			Spacer, Block, Black	1	2
10			Locknut (5/16-24)	1	2
11			Locknut (1/4-20)	1	2
12			Locknut, Thin (1/4-20)	1	2
13			Locknut (5/16-18)	1	1
14		See Chart	#14. Seat Pan Rear Crossbraces	1	1
15		See Chart	#15. Seat Pan Front Crossbrace	1	1

NOTE: A - Kit includes items 2 - 13.

#14. Seat Pan Rear Crossbraces

Option	Chair Width	Part Number
Drop Mount (DRSEAT)	12-13" W	1165779
Drop Mount (DRSEAT)	14-15" W	1165780
Drop Mount (DRSEAT)	16-17" W	1165781
Drop Mount (DRSEAT)	18-19" W	1165782
Drop Mount (DRSEAT)	20-21" W	1165783
Drop Mount (DRSEAT)	22-23" W	1165784
Drop Mount (DRSEAT)	24" W	1165785

#15. Seat Pan Front Crossbrace (SDR1216-1519)

Option	Chair Width	Part Number
SDR1216 - SDR1519	14-15" W	1190105
SDR1216 - SDR1519	16-17" W	1190106
SDR1216 - SDR1519	18-19" W	1190107
SDR1519	20-21" W	1190108
SDR1519	22-23" W	1190109
SDR1519	24" W	1190110