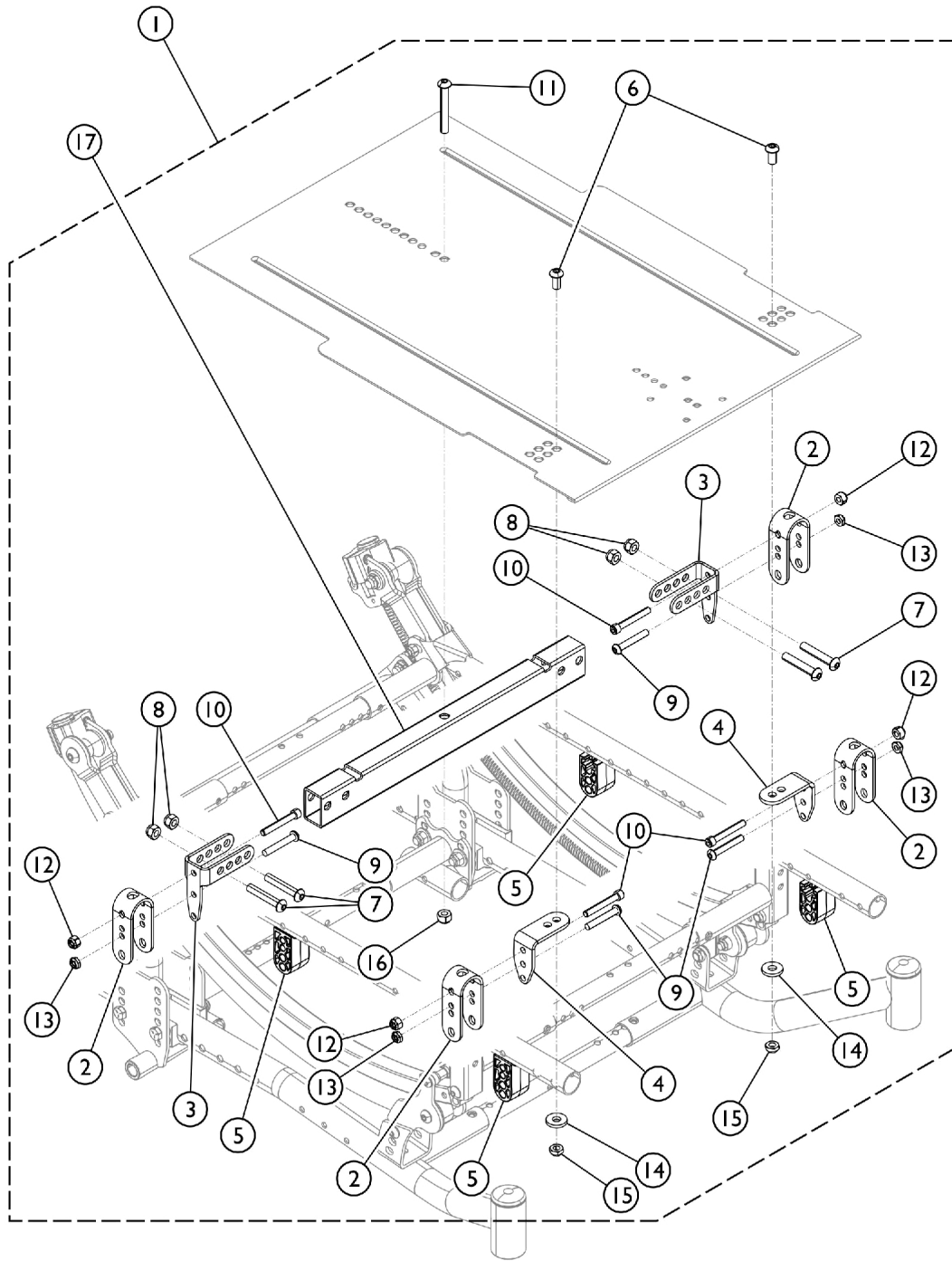


Seat Pan Mtg. Hdwr. - Flush Mount (18 - 22" D)



Flush Mount Seat Pan - Standard
(Large Frame)

SCM_194A

Seat Pan Mtg. Hdwr. - Flush Mount (18 - 22" D)

Item Number	Note	Part Number	Description	Quantity Per	
				Package	Assembly
1	A	1166087	Kit, Seat Pan Mounting Hardware, Drop/Flush Mount (18" - 22" D)	1	1
2			Bracket, Seat Pan	1	4
3			Bracket, Seat Pan, Adjustable	1	2
4			NLA - Bracket, Seat Pan, Front (Long)	1	2
5			Spacer, Block, Black	1	4
6			Screw, Socket Button Head (5/16-24 x 5/8")	1	2
7			Screw, Socket Button Head (5/16-24 x 1-3/4")	1	4
8			Locknut (5/16-24)	1	4
9			Screw, Socket Button Head (1/4-20 x 1-5/8")	1	4
10			Screw, Socket Head (1/4-20 x 1-3/4")	1	4
11			Screw, Button Head, Socket (5/16-18 x 2-1/4")	1	1
12			Locknut (1/4-20)	1	4
13			Locknut, Thin (1/4-20)	1	4
14			Washer, Flat (21/64 x 53/64 x 7/64")	1	2
15			Locknut (5/16-24)	1	2
16			Locknut (5/16-18)	1	1
17		See Chart	#17. Seat Pan Rear Crossbrace Tube	1	1

NOTE: A - Kit include items 2 - 16.

#17. Seat Pan Rear Crossbrace Tube

Seat Mounting Type	Seat Frame Width	Part Number
Flush Mounted (FLSEAT)	12" - 13"	1165779
Flush Mounted (FLSEAT)	14" - 15"	1165780
Flush Mounted (FLSEAT)	16" - 17"	1165781
Flush Mounted (FLSEAT)	18" - 19"	1165782
Flush Mounted (FLSEAT)	20" - 21"	1165783
Flush Mounted (FLSEAT)	22" - 23"	1165784
Flush Mounted (FLSEAT)	24"	1165785