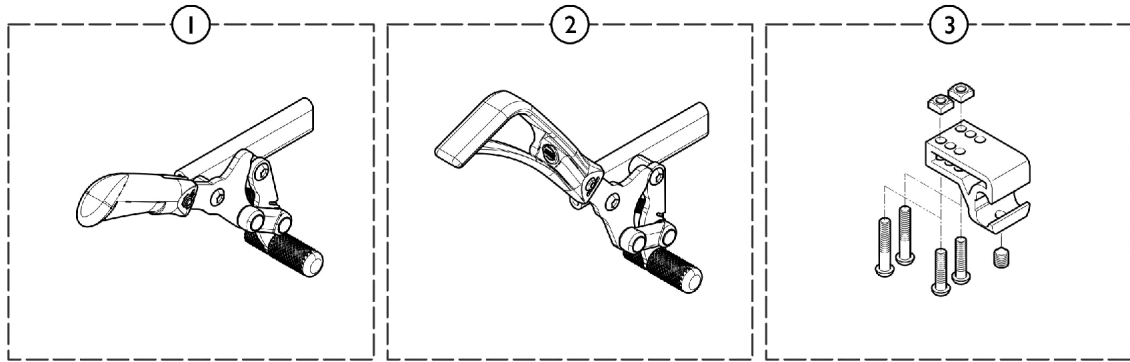


# Wheel Locks - Push Brakes



SCM\_157A

Item Number	Note	Part Number	Description	Quantity Per	
				Package	Assembly
1		SP1581538	Push Brake - Left	1	1
1		SP1581537	Push Brake - Right	1	1
2		SP1581546	Push Brake, Extension Handle - Left	1	1
2		SP1581545	Push Brake, Extension Handle - Right	1	1
3		SP1589978	Kit, Brakes, Clamp	1	1