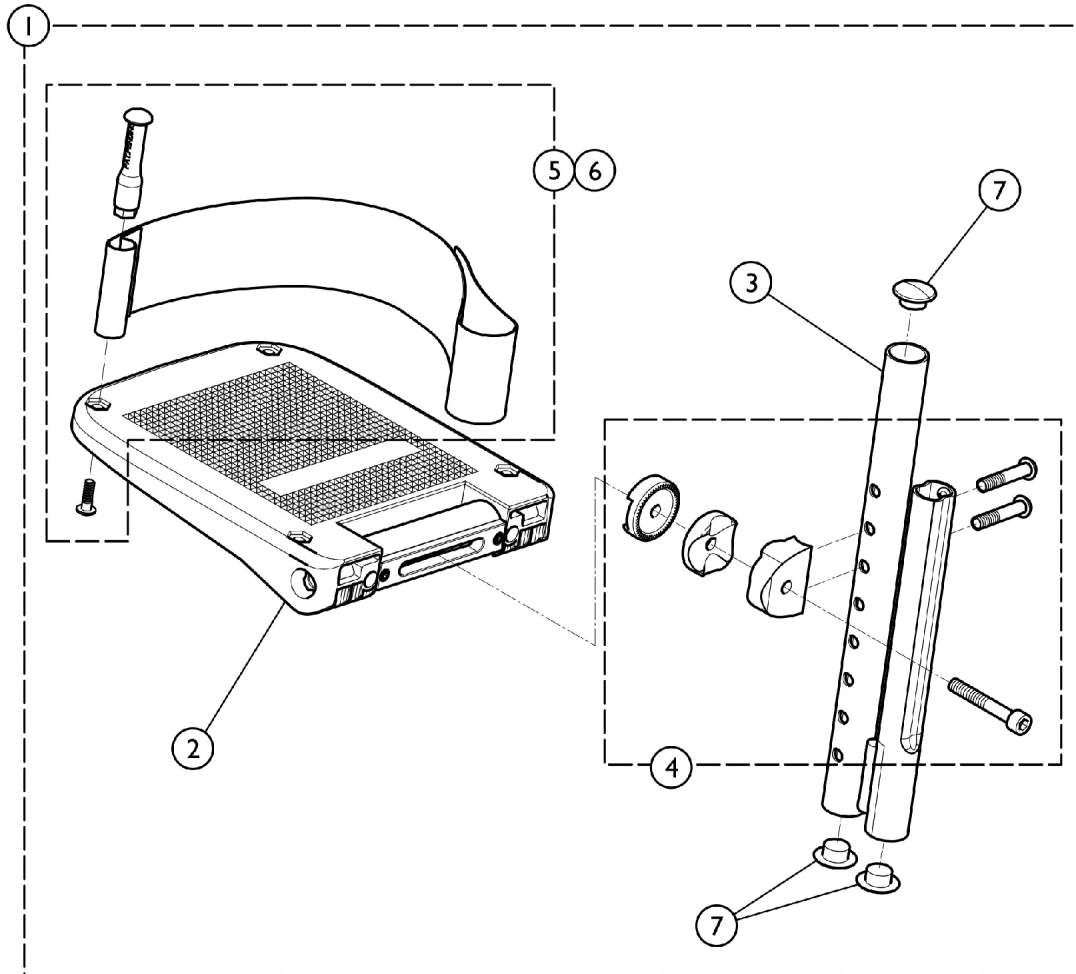


# Adjustable Angle and Depth - High Mounted - Swing Away Frame (SAS, COMADFU)



SCM\_134B

Item Number	Note	Part Number	Description	Quantity Per	
				Package	Assembly
1	A	See Chart	#1. Footrest - Complete	1	1
2		See Chart	#2. Footplate	1	1
3		SP1531202-069 9	Tube, Footrest, High Mounted - Left	1	1
3		SP1531203-069 9	Tube, Footrest, High Mounted - Right	1	1
4		SP1533714	Kit, Hardware, Angle and Adjustable Depth Footrest, High Mounted Tube	1	1
5		SP0587-05201	Kit, Heel Strap, Adjustable, Small	1	1
6		SP1492315	Kit, Heel Strap, Adjustable, Medium	1	1
7		SP1424576	Plastic Cap Black (7/8")	1	3

NOTE: A - Includes items 2, 3, 4, 5, 6, and 7.

# Adjustable Angle and Depth - High Mounted - Swing Away Frame (SAS, COMADFU)

## #1. Footrest - Complete

Chair Width	Left Footrest	Right Footrest
14" W	SP1588277	SP1588278
15" W	SP1586054	SP1586052
16" W	SP1586068	SP1586053
17 - 18" W	SP1532078	SP1532074
19 - 20" W	SP1532080	SP1532076
21" W	SP1601796	SP1601797
	See Note(s) A	See Note(s) A
NOTE: A - Includes Heel Strap.		

# Adjustable Angle and Depth - High Mounted - Swing Away Frame (SAS, COMADFU)

## #2. Footplate

Size	Chair Width	Part Number
3-1/4"	14" W	SP1518638
4-1/4"	15" W	SP5106371
5-1/4"	16" W	SP5106373
5-1/2"	17 - 18" W	SP5106374
6-1/2"	19 - 21" W	SP5106594