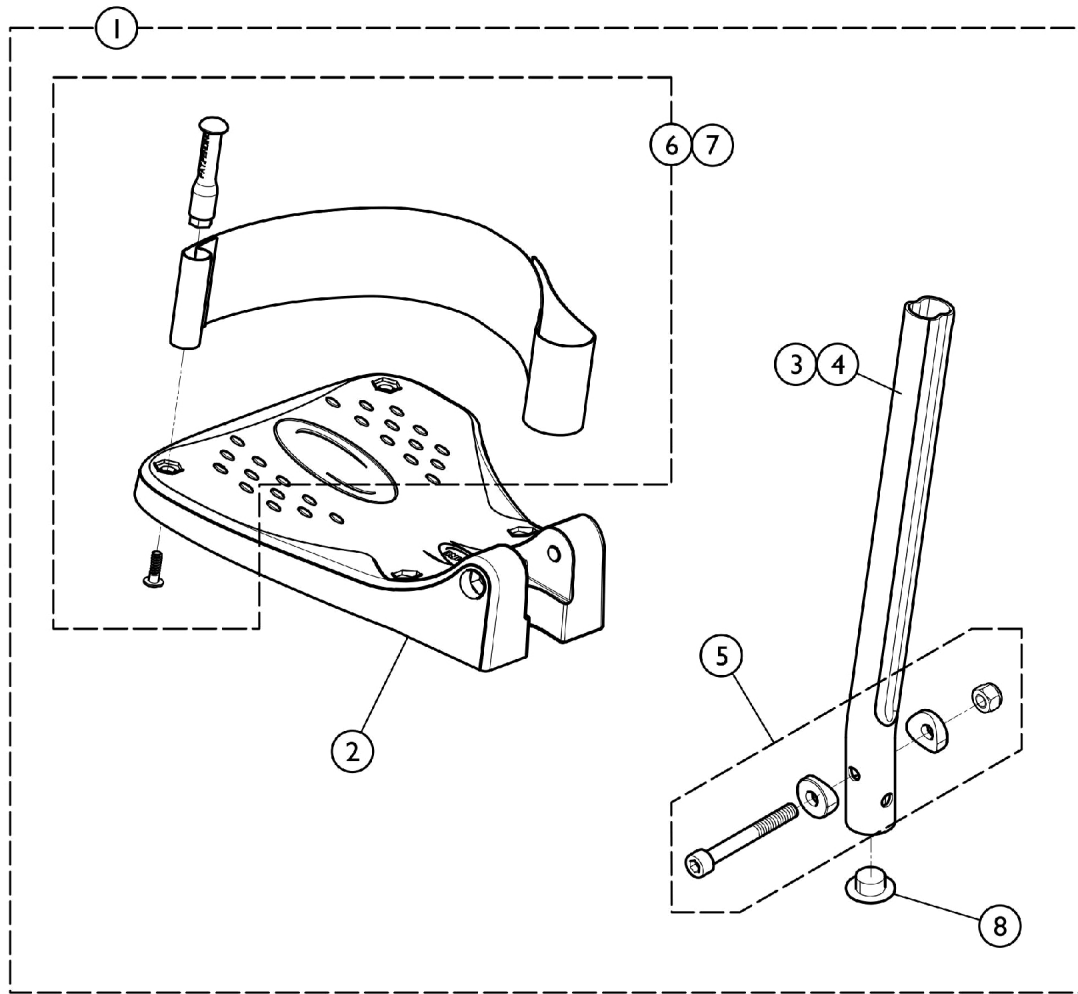


Footrest - Fixed - Swing Away Frame (SAS, COMPFU)



SCM_128B

Item Number	Note	Part Number	Description	Quantity Per	
				Package	Assembly
1	A	See Chart	#1. Footrest - Complete	1	1
2		See Chart	#2. Footplate	1	1
3		SP1434561-001 0	Standard Tube for Fixed Footrest	1	1
4		SP1434563-001 0	Long Tube for Fixed and Adjustable Footrest	1	1
5		SP1430433	Kit, Screws, Fixed Footrest	1	1
6		SP0587-05201	Kit, Heel Strap, Adjustable, Small	1	1
7		SP1492315	Kit, Heel Strap, Adjustable, Medium	1	1
8		SP1424576	Plastic Cap Black (7/8")	1	1

NOTE: A - Includes items 2, 3, 4, 5, 6, 7, and item 8.

Footrest - Fixed - Swing Away Frame (SAS, COMPFU)

#1. Footrest - Complete

Chair Width	Option	Left Footrest	Right Footrest
12" W Standard Tube	SASTD	SP1586899	SP1586900
12" W Long Tube	SAL	SP1587273	SP1587274
13" W Standard Tube	SASTD	SP1586901	SP1587031
13" W Long Tube	SAL	SP1587275	SP1587312
14" W Standard Tube	SASTD	SP1587179	SP1587215
14" W Long Tube	SAL	SP1587313	SP1587405
15 - 16" W Standard Tube	SASTD	SP1530620	SP1530614
15 - 16" W Long Tube	SAL	SP1530633	SP1530630
17 - 18" W Standard Tube	SASTD	SP1530622	SP1530616
17 - 18" W Long Tube	SAL	SP1530634	SP1530631
19 - 20" W Standard Tube	SASTD	SP1530623	SP1530617
19 - 20" W Long Tube	SAL	SP1530635	SP1530632
21" W Standard Tube	SASTD	SP1601715	SP1601716
21" W Long Tube	SAL	SP1601762	SP1601763

Footrest - Fixed - Swing Away Frame (SAS, COMPFU)

#2. Footplate

Footplate Size	Chair Width	Left Footplate	Right Footplate
5-1/4"	12 - 13" W	SP0572-04433	SP0572-04447
6-1/2"	14" W	SP0572-04434	SP0572-04448
6-3/4"	15 - 16" W	SP1529643	SP1529642
8"	17 - 18" W	SP1529645	SP1529644
9"	19 - 21" W	SP1529647	SP1529646