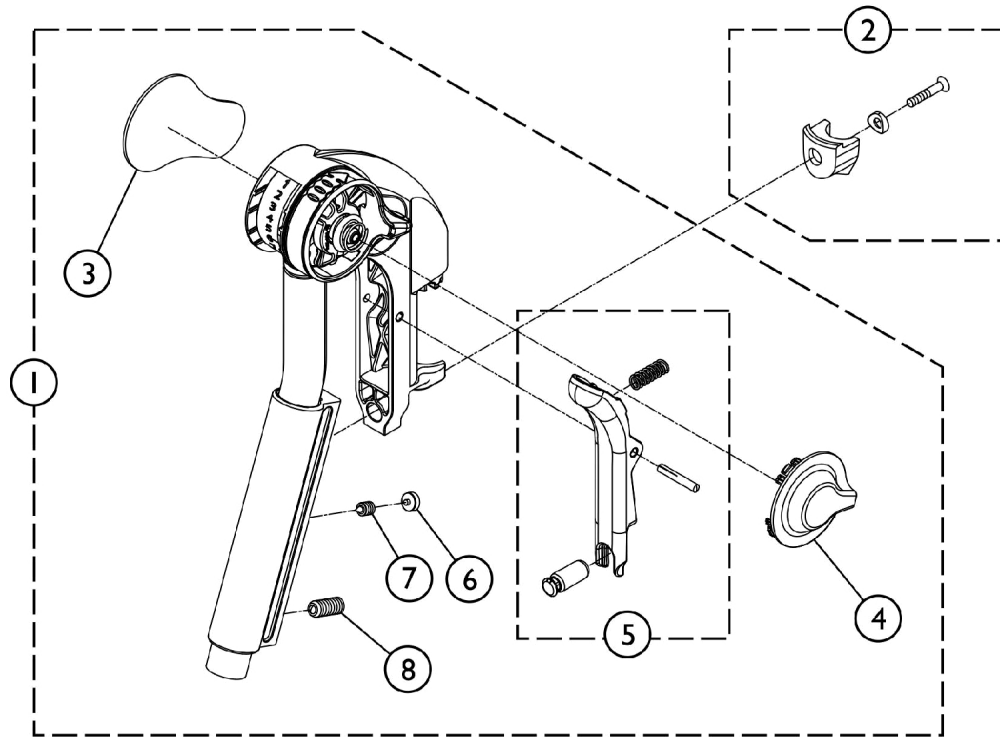


Front Riggings - Elevating Legrest (HPELVSWING)



SCM_123A

Item Number	Note	Part Number	Description	Quantity Per	
				Package	Assembly
1	A	SP1552881-NLA	NLA - Elevating Legrest w/ Hardware - Left	1	1
1	A	SP1552882-NLA	NLA - Elevating Legrest w/ Hardware - Right	1	1
2		SP1584380	Kit, Hanger Locked	1	1
3		SP1428336	Kneepad	1	1
4		SP1508943	Lever, Incline Adjustment	1	1
5		SP1430429	Kit, Legrest Trigger	1	1
6		SP1435741	Plug, Footrest Hanger	1	1
7		SP1424572	Screw, Stop (M10 x 12r)	1	1
8		SP1424571	Screw, Stop (M10 x 23)	1	1

NOTE: A - Includes items 2, 3, 4, 5, 6, 7, and 8.