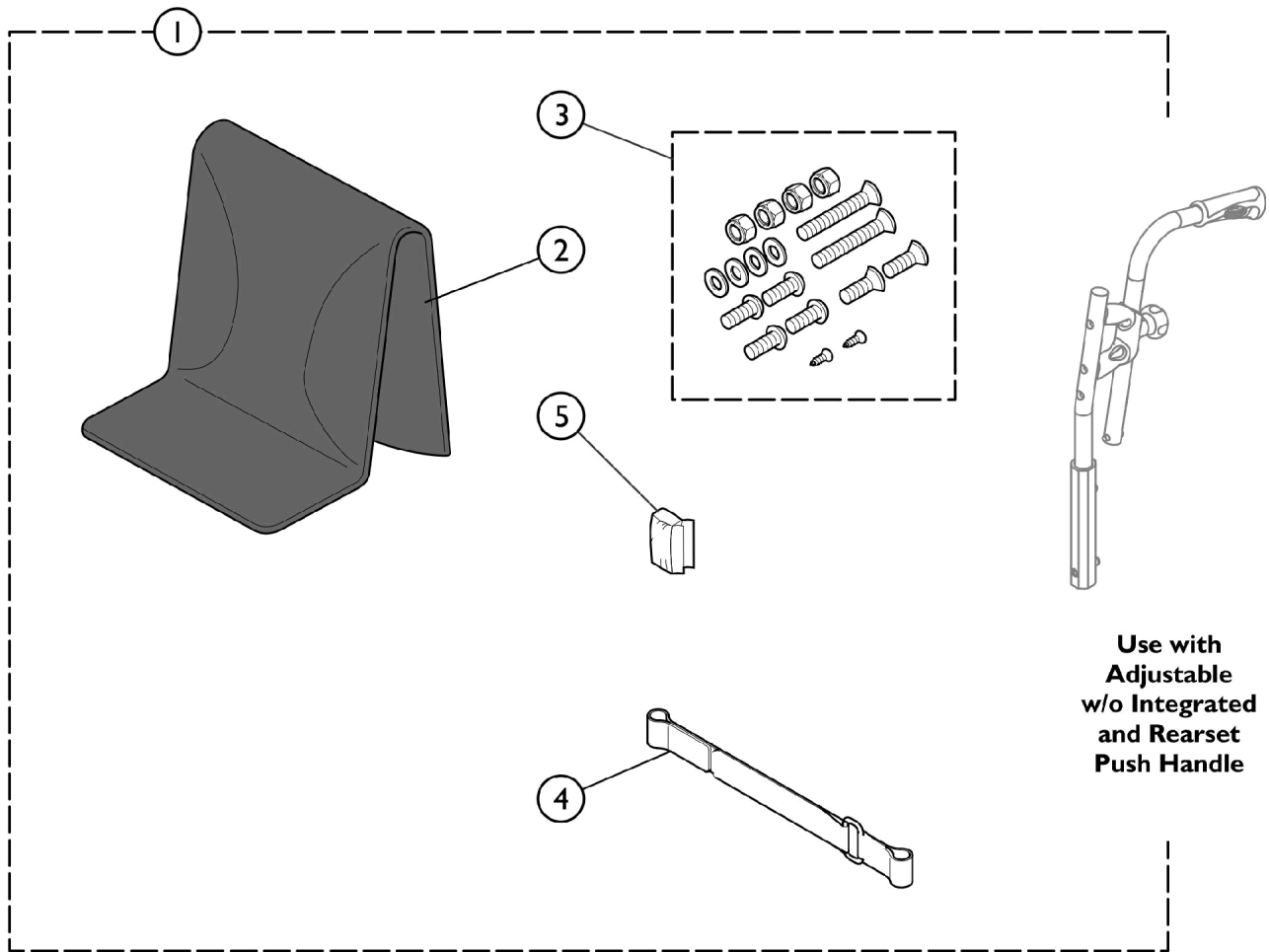


Upholstery - Backrest - Adjustable - w/o Integrated and Rearset Push Handle (ADJBACKUPH)



**Use with
Adjustable
w/o Integrated
and Rearset
Push Handle**

SCM_159A

Item Number	Note	Part Number	Description	Quantity Per	
				Package	Assembly
1	A	See Chart	#1. Upholstery - Back - Complete	1	1
2		See Chart	#2. Outer Back Cover	1	1
3		SP1601667	Kit, Hardware, Adjustable Back Cane Upholstery	1	1
4		SP1601671	Strap, Tension, Adjustment Back Upholstery (19")	1	1
4		SP1601712	Strap, Tension, Adjustment Back Upholstery (24")	1	1
5		SP1601713	Kit, Protection, Back Cane w/o Push Handle	1	1

NOTE: A - Includes items 2, 3, 4, and item 5.

Upholstery - Backrest - Adjustable - w/o Integrated and Rearset Push Handle (ADJBACKUPH)

#1. Upholstery - Back - Complete

Chair Width	14 - 16" D	16 - 20" D
12" W	SP1589223	SP1589455
13" W	SP1589224	SP1589456
14" W	SP1589327	SP1589457
15" W	SP1589396	SP1589458
16" W	SP1589397	SP1589459
17" W	SP1589398	SP1589460
18" W	SP1589399	SP1589461
19" W	SP1589400	SP1589466
20" W	SP1589401	SP1589467
21" W	SP1589402	SP1589468

#2. Outer Back Cover

Chair Width	Outer Back Short (12 - 14" Back Height)	Outer Back Standard (16 - 18" Back Height)
12" W	SP1586150	SP1586070
13" W	SP1586151	SP1586071
14" W	SP1586169	SP1586072
15" W	SP1586170	SP1586073
16" W	SP1586171	SP1586074
17" W	SP1586185	SP1586075
18" W	SP1586186	SP1586076
19" W	SP1586187	SP1586077
20" W	SP1586188	SP1586148
21" W	SP1586189	SP1586149