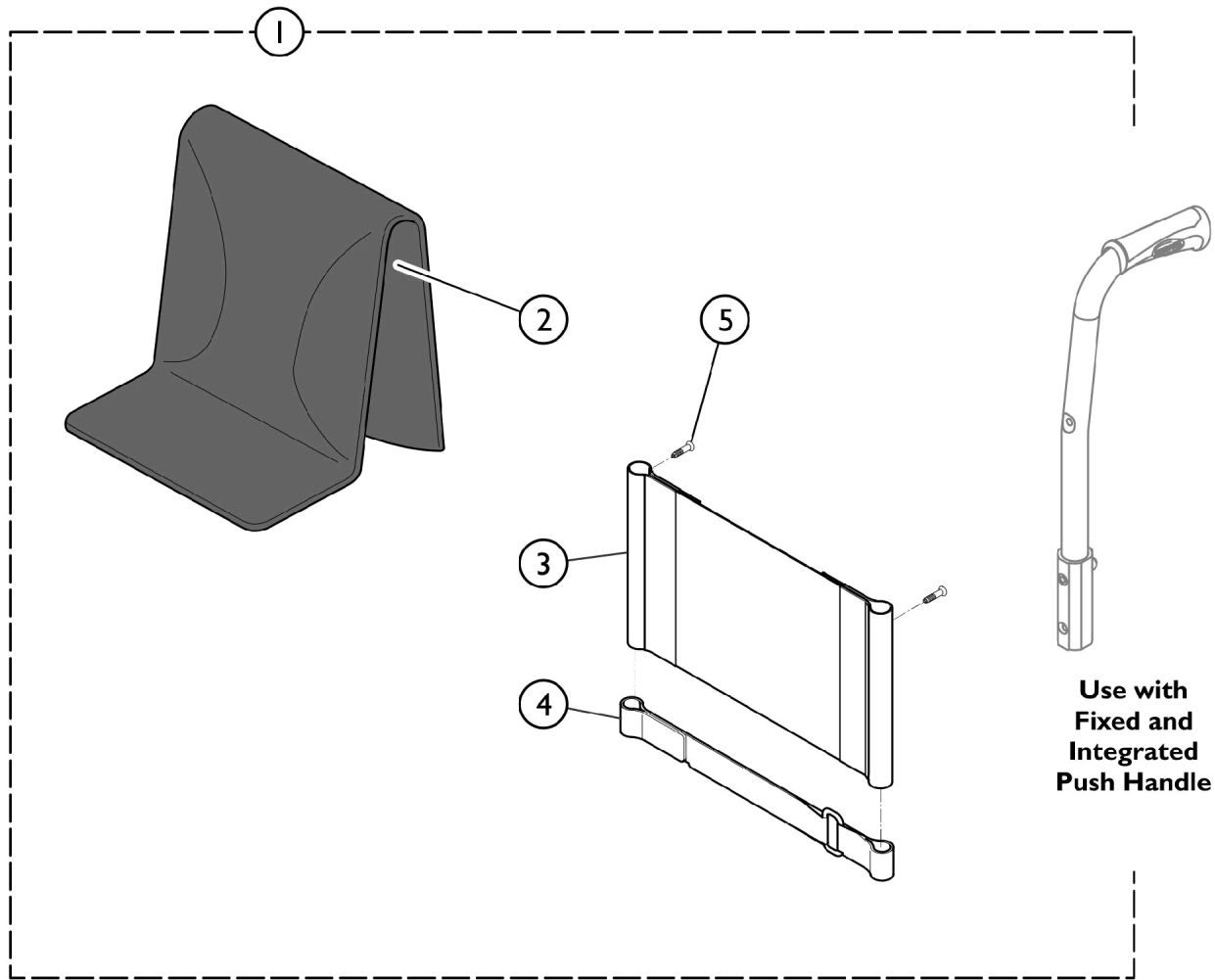


Upholstery - Backrest - Fixed and Integrated Push Handle (FXBACKUPH)



SCM_151A

Item Number	Note	Part Number	Description	Quantity Per	
				Package	Assembly
1	A	See Chart	#1. Upholstery - Back - Complete	1	1
2		See Chart	#2. Upholstery - Back - Outer	1	1
3		See Chart	#3. Fixed Inner Back	1	1
4		SP1601671	Strap, Tension, Adjustment Back Upholstery (19")	1	1
4		SP1601712	Strap, Tension, Adjustment Back Upholstery (24")	1	1
5		SP1428603	Screw Tfb (4,8 x 19 A2r Tx25 DIN7983)	1	2

NOTE: A - Includes items 2 - 5.

Upholstery - Backrest - Fixed and Integrated Push Handle (FXBACKUPH)

#1. Upholstery - Back - Complete

Chair Width	Fixed Low (AGC1)	Fixed High (AGC3)
12" W	SP1584647	SP1588315
13" W	SP1584648	SP1588316
14" W	SP1584649	SP1588317
15" W	SP1584650	SP1588318
16" W	SP1584651	SP1588339
17" W	SP1584652	SP1588340
18" W	SP1584653	SP1588341
19" W	SP1584654	SP1588412
20" W	SP1584655	SP1588428
21" W	SP1584656	SP1588429

#2. Upholstery - Back - Outer

Chair Width	Outer Short (12 - 14" Back Height)	Outer Standard (16 - 18" Back Height)
12" W	SP1586150	SP1586070
13" W	SP1586151	SP1586071
14" W	SP1586169	SP1586072
15" W	SP1586170	SP1586073
16" W	SP1586171	SP1586074
17" W	SP1586185	SP1586075
18" W	SP1586186	SP1586076
19" W	SP1586187	SP1586077
20" W	SP1586188	SP1586148
21" W	SP1586189	SP1586149

Upholstery - Backrest - Fixed and Integrated Push Handle (FXBACKUPH)

#3. Fixed Inner Back

Chair Width	17" High
12" W	SP1584892
13" W	SP1584893
14" W	SP1584894
15" W	SP1532247
16" W	SP1532248
17" W	SP1532249
18" W	SP1532250
19" W	SP1532251
20" W	SP1532252
21" W	SP1533168