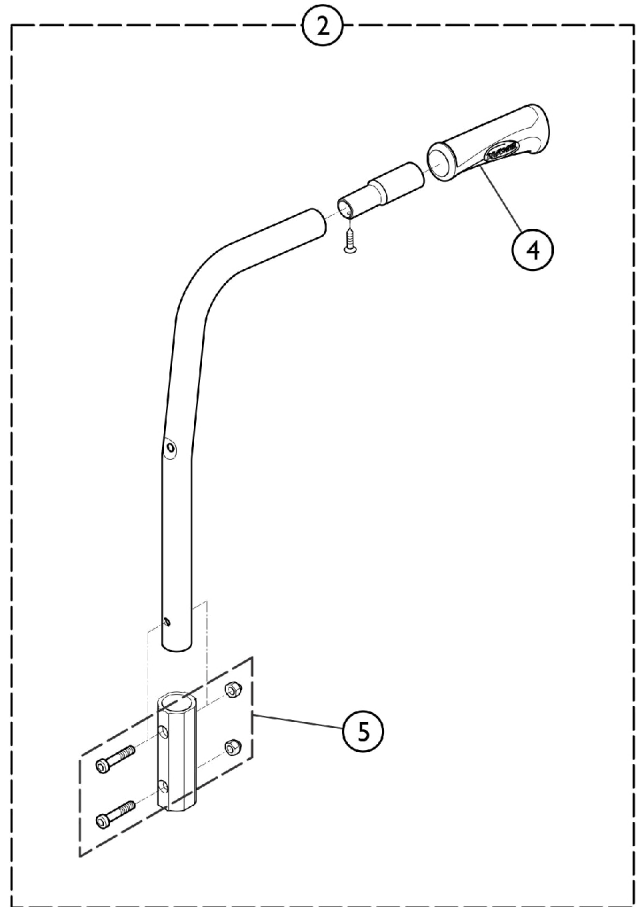
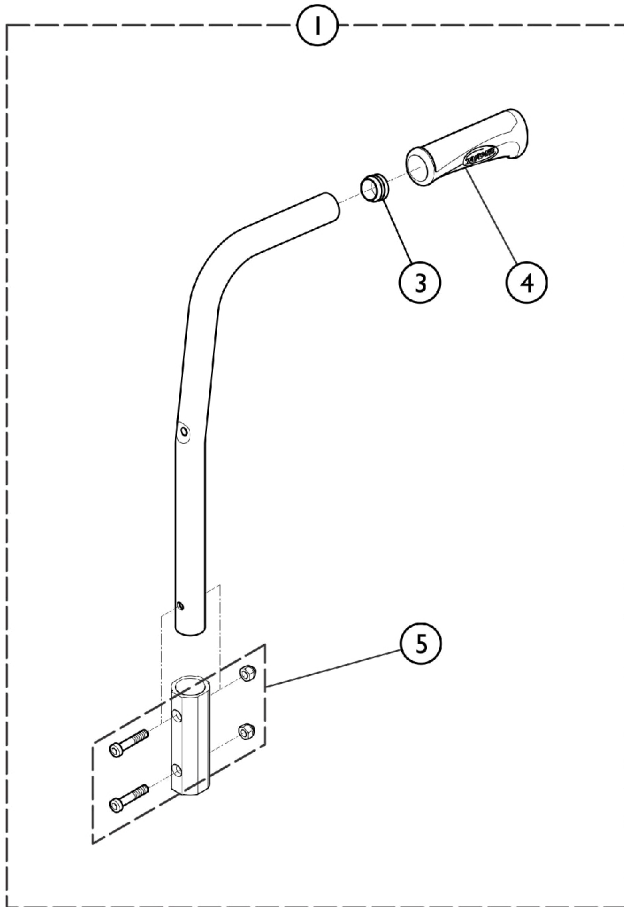


Backrest - Fixed, Push Handle (BP4G, B55G, BP55G)



Backrest - Fixed, Push Handle (BP4G, B55G, BP55G)

Item Number	Note	Part Number	Description	Quantity Per	
				Package	Assembly
1	A	SP1606320	Cane, Back, Fixed w/ Push Handle (12" - ACG1)	1	2
1	A	SP1606321	Cane, Back, Fixed w/ Push Handle (13-14" - ACG1)	1	2
1	A	SP1606322	Cane, Back, Fixed w/ Push Handle (15-16" - ACG1)	1	2
1	A	SP1606323	Cane, Back, Fixed w/ Push Handle (17-18" - ACG1)	1	2
1	A	SP1606324	Cane, Back, Fixed w/ Push Handle (19-20" - ACG1)	1	2
2	B	SP1606326	Cane, Back, Fixed w/ Insert, w/ Push Handle (15-16" - ACG2)	1	2
2	B	SP1606327	Cane, Back, Fixed w/ Insert, w/ Push Handle (17-18" - ACG2)	1	2
2	B	SP1606328	Cane, Back, Fixed w/ Insert, w/ Push Handle (19-20" - ACG2)	1	2
3		SP1418112	Cap, Back Cane (7/8")	1	2
4		SP1435420	Handle, Back Cane (7/8")	1	2
5		SP1589826	Kit, Hardware, Fixed Back Cane	1	2
NOTE: A - Includes items 3, 4, and 5. B - Includes items 4 and 5.					