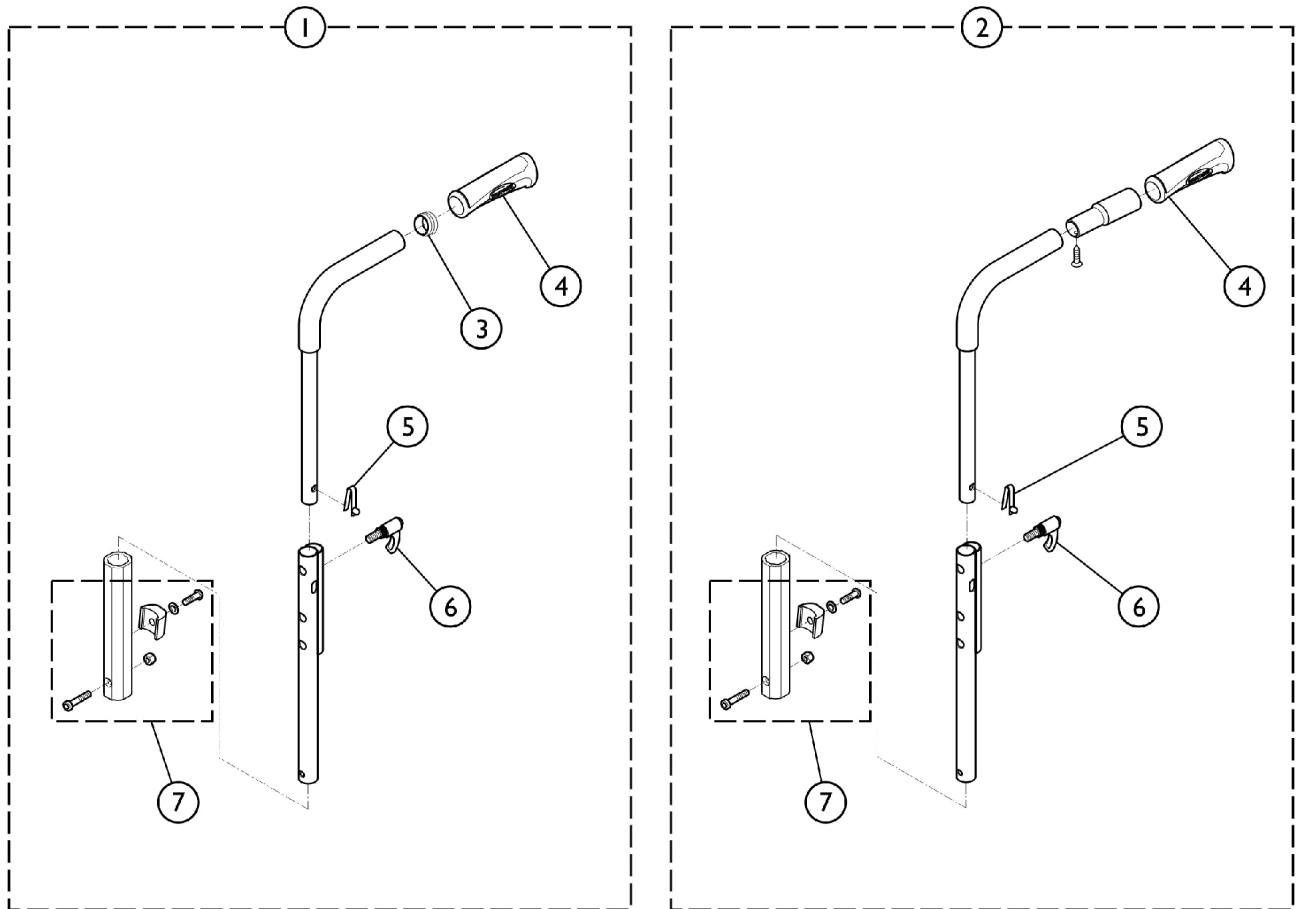


Backrest - Adjustable, Integrated Push Handle (ABH1416, ABH1619)



Backrest - Adjustable, Integrated Push Handle (ABH1416, ABH1619)

Item Number	Note	Part Number	Description	Quantity Per	
				Package	Assembly
1	A	SP1584778	Cane, Back, Adjustable Height, Integrated Push Handle (14-16")	1	2
1	A	SP1584779	Cane, Back, Adjustable Height, Integrated Push Handle (16-20")	1	2
2	B	SP1601903	Cane, Back, Adjustable Height w/ Insert, Integrated Push Handle (14-16")	1	2
2	B	SP1601922	Cane, Back, Adjustable Height w/ Insert, Integrated Push Handle (16-20")	1	2
3		SP1418112	Cap, Back Cane (7/8")	1	2
4		SP1425473	Handle, Back Cane (7/8")	1	2
5		SP0027-10003	Spring Pin Locked Armrest	1	2
6		SP1443023	Lever, Indexable (M8 x 25)	1	2
7		SP1589825	Kit, Adjustable Back Cane, Tube Hardware	1	2

NOTE: A - Includes items 3, 4, 5, 6, and 7.
 B - Includes items 4, 5, 6, and 7.