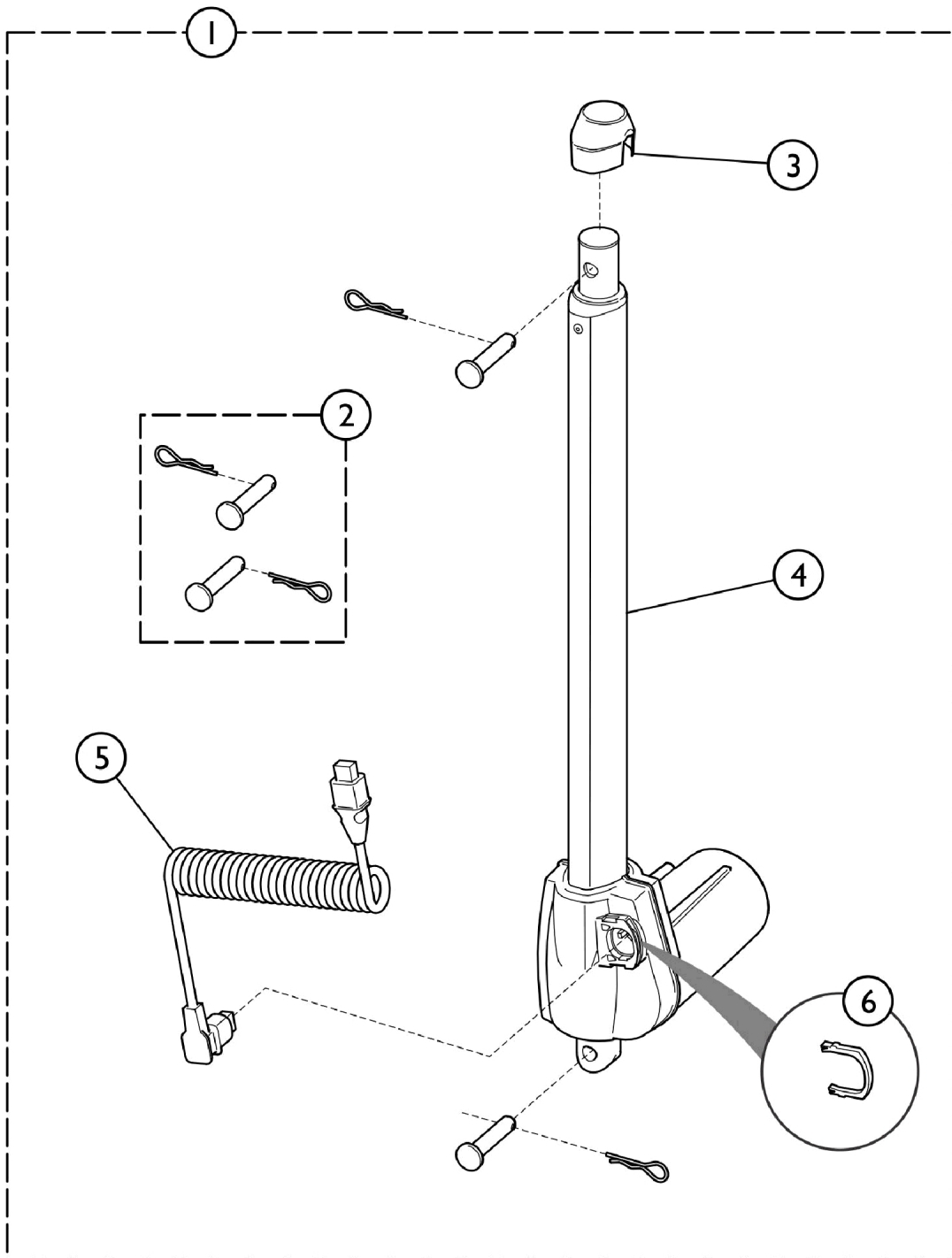


Motor, Bed End Lifting



SBP_069A

Motor, Bed End Lifting

Item Number	Note	Part Number	Description	Quantity Per	
				Package	Assembly
1	A	SP1552524	Motor, Bed End, Complete (24V, LA27)	1	1
2		SP1584448	Kit, Mounting, Bed End Motor	1	1
3		SP1432760-703	Plastic Cap	1	1
		5			
4		SP1551452-703	Actuator (24V, LA27)	1	1
		5			
5		SP1551453-703	Cable, Actuator (LA27)	1	1
		5			
6		SP1551875	Locking Clip (10 ea.)	10	1

NOTE: A - Includes items 2 - 6.